

SDSILENCE



Low noise, in-line duct extractor fans with durable ball bearings



Low noise, in-line duct extractor fans with durable ball bearings, 3 speed motor and external connections box.

Fan:

- High-quality and durable plastic casing.
- Thermal and acoustic insulation with 50 mm rockwool.
- Internal perforated casing to facilitate noise absorption.
- External terminal box.
- Quick and easy to install.
- Possibility of connection to two different diameters for each equipment. Diameter adapters included with the product.

Motor:

- Motors with long life ball bearings, IPX4 protection and 3-speed.
- Single-phase 220-240 V 50 Hz, electric with up to 3 stages.
- Working temperature: +1 °C +40 °C.

Order code



Technical characteristics

Model	Speed (r/min)	Maximum current (A)	Max. electric power (kW)	Maximum flow rate (m ³ /h)	Noise level ¹ dB (A) Irradiated	Approx. weight (Kg)
	min/max	min/max	min/max	min/max	min/max	
SDSILENCE-100/125	2250 / 2810	0.08 / 0.10	9 / 21	119 / 220	23 / 31	4
SDSILENCE-150/160	1980 / 2740	0.20 / 0.24	25 / 51	242 / 540	25 / 38	5

1. Irradiated sound pressure level in dB(A) at a distance of 3 m.



Erp. (Energy Related Products)

Information on Directive 2009/125/EC can be downloaded from the SODECA website or the QuickFan selector programme.

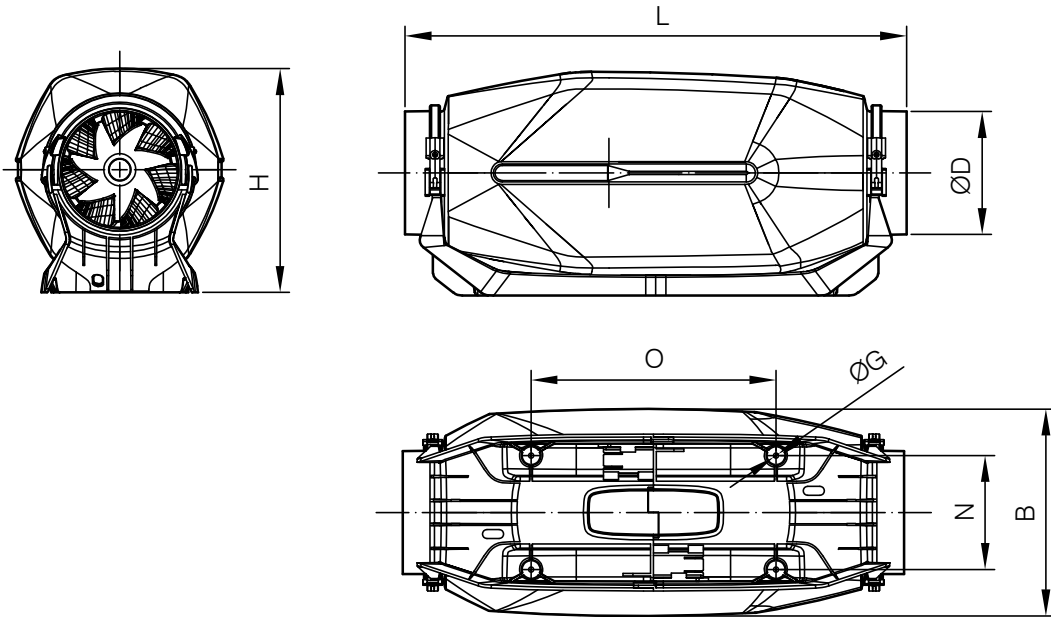
Acoustic characteristics

The values given are obtained under laboratory conditions according to ISO 3744.

Sound power spectrum $L_w(A)$ in dB(A) per Hz frequency band
Irradiated values at maximum speed and medium flow rate.

	63	125	250	500	1000	2000	4000	8000		63	125	250	500	1000	2000	4000	8000
SDSILENCE-100/125	39	40	42	41	39	35	33	32	SDSILENCE-150/160	44	45	52	46	44	40	38	37

Dimensions mm



	B	D	G	H	L	N	O
SDSILENCE -100/125 (Ø100)	207	100	5.5	224	579	114	245
SDSILENCE-100/125 (Ø125)	207	125	5.5	224	502	114	245
SDSILENCE-150/160 (Ø150)	273	150	5.5	273	253	133	314
SDSILENCE-150/160 (Ø160)	273	160	5.5	273	253	133	314

Accessories

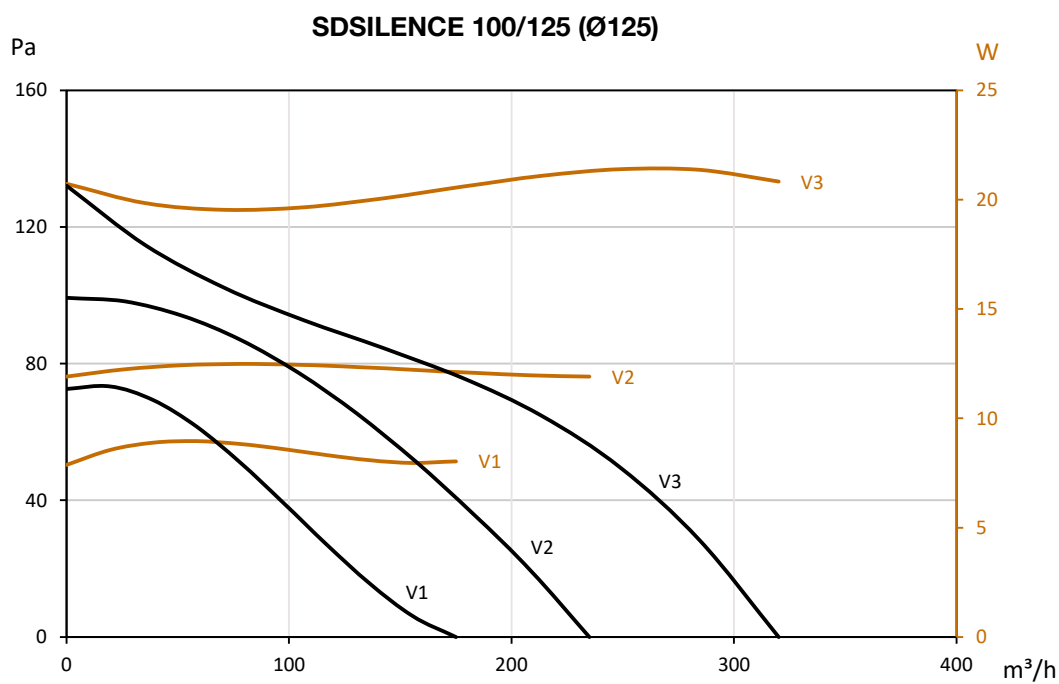
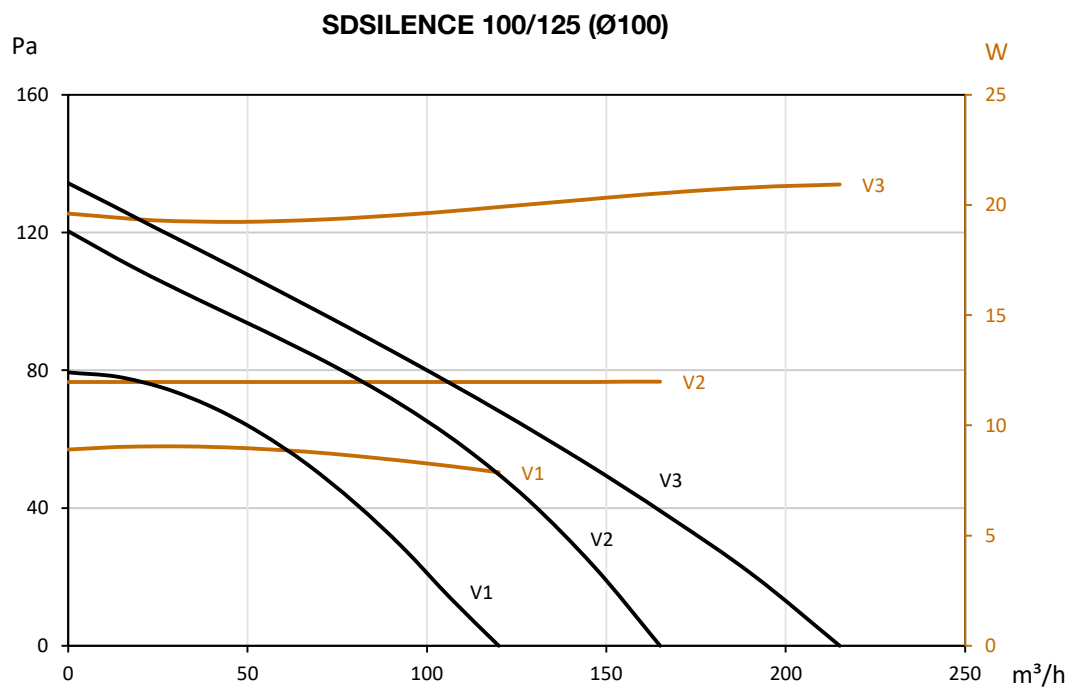


Characteristic curves

Q= Flow rate in m³/h.

Pe= Flow rate in m³/h.Static pressure in Pa.

W= Electric power in W.



Characteristic curves

Q= Flow rate in m³/h.

Pe= Flow rate in m³/h.Static pressure in Pa.

W= Electric power in W.

