

CI-CO/EC



Long range, low profile, induction centrifugal Jet fans, equipped with EC Technology IE5 motor with integrated electronics



EC TECHNOLOGY MOTOR with integrated electronics

Long range, low profile, induction centrifugal Jet fans, for air movement and CO extraction in car parks, equipped with EC Technology IE5 motor with integrated electronics.

- Fan:**
- Sheet steel casing.
 - Backward curved impeller in highly robust sheet steel.
 - INT series safety switch built into the fan.
 - Fixing feet included.

- Motor:**
- High efficiency EC Technology motors with integrated electronics, regulated by 0-10 V or 4-20 mA.
 - IE5 efficiency motors, class F and IP55 protection.
 - Three-phase 380-400 V 50/60 Hz.
 - Working temperature: -20 °C +60 °C.
 - Modbus RTU and built-in alarm relay.

- Finish:**
- Anti-corrosive finish in polyester resin, polymerised at 190 °C, after degreasing with phosphate-free nanotechnology treatment.

Order code

CI-CO/EC – 50 – 4T – IE5

CI-CO/EC: Long range, low profile, induction centrifugal Jet fans, equipped with EC Technology IE5 motor with integrated electronics

Impeller diameter in cm

Max. speed
4=1500 r/min 50/60 Hz

T = Three-phase

IE5 motor

Technical characteristics

| Model | Speed min/max (r/min) | Maximum admissible current (A) 400V | Maximum flow rate (m ³ /h) | Thrust (N) | Installed power (kW) | Sound pressure level ¹ dB (A) | Approx. weight (Kg) |
|---------------------|-----------------------|-------------------------------------|---------------------------------------|------------|----------------------|--|---------------------|
| CI-CO/EC-50-4T IE5 | 200 / 1500 | 2.91 | 6340 | 55 | 1.50 | 70 | 69 |
| CI-CO/EC-100-4T IE5 | 200 / 1500 | 5.66 | 9650 | 107 | 3.00 | 80 | 121 |

1. Irradiated sound pressure level in dB(A) at a distance of 3 m and at maximum flow rate.



Erp. (Energy Related Products)

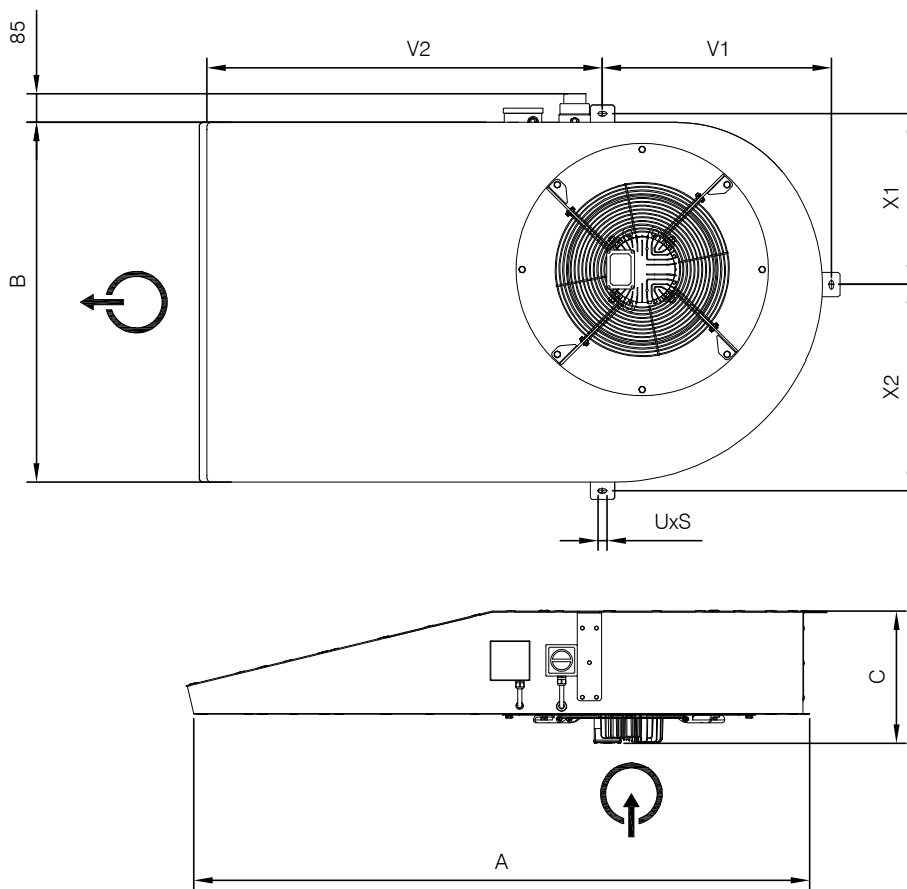
Information on Directive 2009/125/EC can be downloaded from the SODECA website or the QuickFan selector programme.

Acoustic characteristics

Irradiated sound power spectrum Lw(A) in dB(A) per Hz frequency band

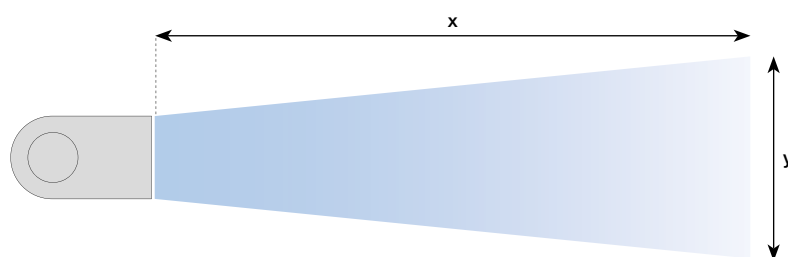
| | 63 | 125 | 250 | 500 | 1000 | 2000 | 4000 | 8000 |
|---------------------|----|-----|-----|-----|------|------|------|------|
| CI-CO/EC-50-4T-IE5 | 65 | 71 | 83 | 82 | 81 | 79 | 72 | 68 |
| CI-CO/EC-100-4T-IE5 | 75 | 81 | 93 | 92 | 91 | 89 | 82 | 78 |

Dimensions mm



| | A | B | C | V1 | V2 | X1 | X2 | UxS |
|-----------------|------|------|-------|-------|-------|-----|-----|-------|
| CI-CO/EC-50-4T | 1240 | 840 | 336.5 | 524.5 | 741.5 | 413 | 477 | 12x26 |
| CI-CO/EC-100-4T | 1778 | 1040 | 383 | 662 | 1143 | 494 | 596 | 12x26 |

Blade



| | CI-CO/EC-50 | CI-CO/EC-100 |
|-------------------------------|-------------|--------------|
| Speed (r/min) | 1500 | 1500 |
| Thrust (N) | 55 | 107 |
| Air exhaust speed (m/s) | 25.89 | 33.26 |
| Air speed (m/s) | 1 | 1 |
| Maximum length x of blade (m) | 46.1 | 64.7 |
| Maximum length y of blade (m) | 19.6 | 27.5 |

Accessories



CENTRAL CO



MTP