

# SDBP/M INOX

Centrifugal fans built in INOX, specially designed for the extraction of hot air max. 80 °C and water vapors in extraction hoods, with vertical air outlet  
*Specially designed for bakery and pastry ovens and surface treatment ovens*



- Fan:**
- Stainless steel sheet casing.
  - Forward curved impeller in stainless steel sheet.
  - Directly coupled motor with B-5 flange.

- Motor:**
- Motors with IE3 efficiency for powers equal to or greater than 0.75kW, except single-phase, 2-speed and 8-pole.
  - IP55 protection.
  - Three-phase 230/400 V 50 Hz (up to 4 kW) and 400/690 V 50 Hz (powers greater than 4 kW).
  - Maximum temperature of air to be carried: -25 °C +80 °C.

- Finishing:**
- Made of stainless steel sheet.

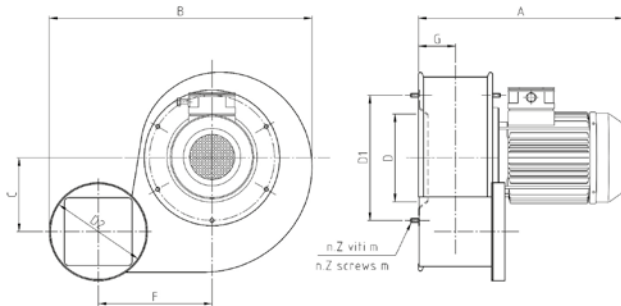
- On request:**
- Special windings for different voltages.
  - Painted steel fan.

## Characteristics

MOD.	kW	r.p.m	dB/A	CAPACITY (m³/s)										
				0.008	0.017	0.03	0.06	0.07	0.08	0.1	0.12	0.13	0.16	0.17
<b>TOTAL PRESSURE (mm H<sub>2</sub>O)</b>														
SDBP/M INOX-100-2T-0.25	0.18	2680	58			30	32	33	34	35	36	36	30	24
SDBP/M INOX-100-4T-0.25	0.18	1340	48	6	6	7	7	8	7					

Flow margin ±5%  
 Noise level margin +3...5 db

## Dimensions mm



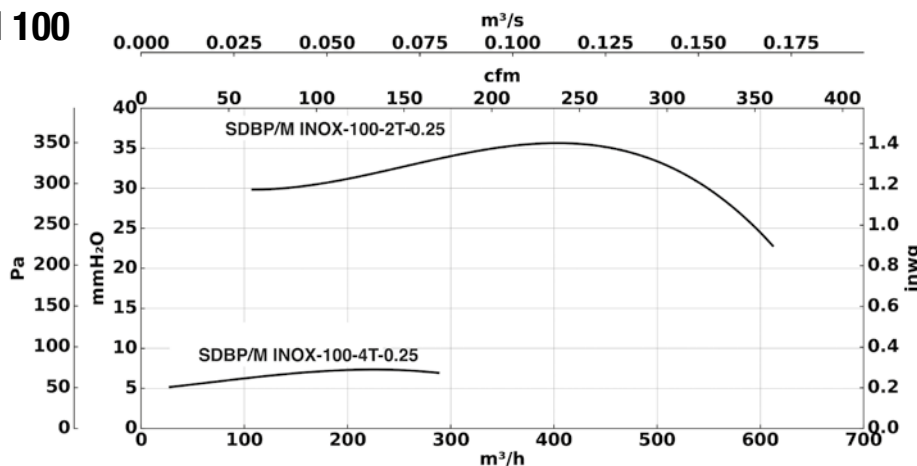
MOD.	kW	r.p.m	A	B	C	F	G
SDBP/M INOX-100-2T-0.25	0.18	2680	255	330	96	142	48
SDBP/M INOX-100-4T-0.25	0.18	1340	255	330	96	142	48

MOD.	D	D1	m	n.Z	D2	Kg
SDBP/M INOX-100-2T-0.25	110	160	M5	6	120	6.75
SDBP/M INOX-100-4T-0.25	110	160	M5	6	120	6.75

## Characteristic curves

### SDBP/M 100



Total pressure  
 Flow margin ± 5 %  
 Noise level margin +3...5 db  
 Margin of kW absorbed ± 3%