

WALL/FLAP



Aluminum gate with motorised opening

Suitable for installation in industrial buildings or commercial facilities. It can be used for room ventilation.

Characteristics:

- Very robust aluminum structure able to withstand extreme weather conditions.
- Designed to ensure watertightness.
- Aluminum profile with thermal bridge break.
- Central ceiling and structure equipped with high performance thermal insulation.
- Thermal resistance of the assembly less than 0.89 W/m²·K.
- Limit switches in both positions (open and closed).

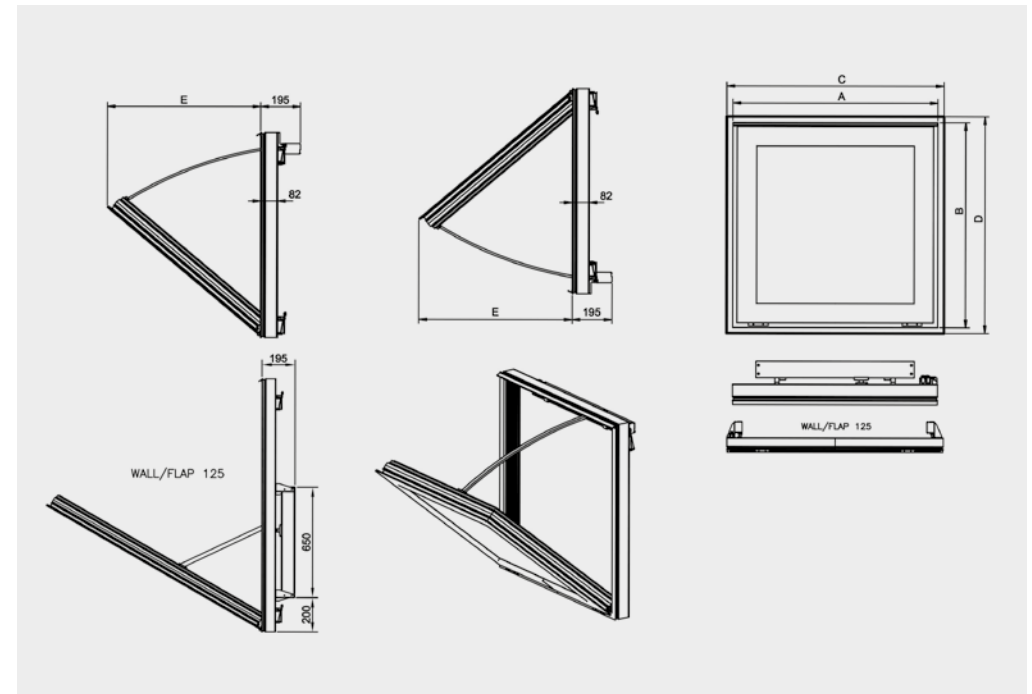
- Possibility of mounting in upper and lower opening. Size 125 only top opening.
- Manual opening system (Utility model ES 1 259 375 U).

Finish:

- Anti-corrosive in extruded aluminum.
- RAL 7016 supplied as standard. Any other RAL can be supplied on demand.

Actuator:

- Reliability greater than 11,000 dual cycles.
- Supply voltage at 230 V AC 50/60 Hz.
- Working temperature: -25 °C +60 °C.



Model	A	B	C	D	E	Approx. weight (Kg)	Applicable to
WALL/FLAP-40-45	640	590	650	600	430	12	Diameters 40 and 45
WALL/FLAP-50-56	690	690	700	700	560	14	Diameters 50 and 56
WALL/FLAP-63-71-80	990	990	1000	1000	760	22	Diameters 63, 71 and 80
WALL/FLAP-90-100	1190	1190	1200	1200	790	27	Diameters 90 and 100
WALL/FLAP-125	1490	1490	1500	1500	1240	42	Diameters 125

(C x D) Nominal size of the wall opening.