

FRF/EW



**BRUSHLESS
MOTOR, WITH
BUILT-IN VSD**



EC roof-mounted centrifugal extractor fans, with vertical air outlet

Fan:

- Backward-curved impeller with EC external rotor motor.
- Aluminium profile structure and box with thermal and acoustic insulation, and aluminium sheet metal finish.
- Folding impeller-motor unit to facilitate maintenance and cleaning.
- Built-in safety switch.
- Built-in water outlet drain.
- Adjustable speed by means of an external 0-10 V signal.

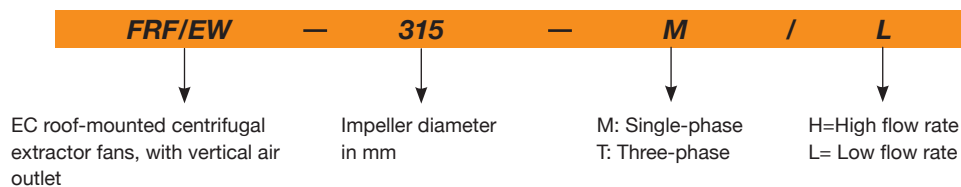
Motor:

- EC brushless external rotor motors with high efficiency and built-in variable speed drive controlled by 0-10 V signal.
- Single-phase 200-277V 50/60 Hz. Except models 225, 250 and 315-M/L 200-240V 50/60 Hz. IP54 protection.
- Three-phase 380-480 V 50/60 Hz. IP54 protection.
- Maximum temperature of air to be carried: -25 °C +50 °C.

Finish:

- Corrosion-proof and made of sheet aluminium.

Order code



Technical characteristics

Model	Speed (rpm)	Maximum current (A)		Max. electric power (kW)	Maximum flow rate (m ³ /h)	Sound pressure level at maximum speed (dBA)*		Approx. weight (Kg)	According ErP
		230V	400V			Inlet	Discharge		
FRF/EW-225-M	3230	1.4		0.17	1010	40	43	20	2018
FRF/EW-250-M	2510	1.4		0.17	1200	42	45	20	2018
FRF/EW-315-M/L	1524	1.2		0.15	1880	32	35	30	2018
FRF/EW-315-M/H	2360	2.2		0.5	2940	46	49	32	2018
FRF/EW-315-T/H	2700		1.25	0.79	3200	50	53	33	2018
FRF/EW-400-M/L	1170	1.1		0.25	3360	37	40	40	2018
FRF/EW-400-M/H	1700	3.3		0.75	5100	47	50	41	2018
FRF/EW-400-T/H	2060		2.1	1.32	5520	49	56	43	2018
FRF/EW-450-M/L	1260	2.2		0.5	5190	47	52	71	2018
FRF/EW-500-M/L	1100	3.3		0.75	6880	41	47	76	2018
FRF/EW-500-T/H	1700		4	2.65	9360	51	58	84	2018

* The noise level values are pressures in dB(A) measured at a distance of 6 metres and at 2/3 of the maximum flow rate (2/3Qmax).

Acoustic characteristics

Sound power spectrum Lw(A) in dB(A) per Hz frequency band.

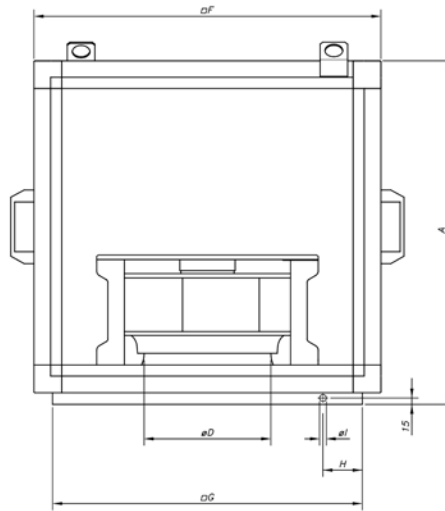
Values taken during aspiration with 2/3 maximum flow rate (2/3Qmax).

Model	63	125	250	500	1000	2000	4000	8000
FRF/EW-225-M	26	43	49	56	58	59	55	50
FRF/EW-250-M	32	47	53	58	60	59	57	48
FRF/EW-315-M/L	26	48	45	50	50	48	44	37
FRF/EW-315-M/H	43	58	60	63	62	63	58	52
FRF/EW-315-T/H	49	59	63	68	68	67	62	57
FRF/EW-400-M/L	33	53	50	55	53	51	49	51
FRF/EW-400-M/H	37	61	60	66	63	61	56	58
FRF/EW-400-T/H	38	51	63	69	66	66	61	61
FRF/EW-450-M/L	36	56	59	65	62	65	61	60
FRF/EW-500-M/L	39	53	54	58	60	59	55	48
FRF/EW-500-T/H	48	61	64	68	69	69	66	60

Values taken during discharge with 2/3 maximum flow rate (2/3Qmax).

Model	63	125	250	500	1000	2000	4000	8000
FRF/EW-225-M	29	46	52	59	61	62	58	53
FRF/EW-250-M	35	50	56	61	63	62	60	51
FRF/EW-315-M/L	29	51	48	53	53	51	47	40
FRF/EW-315-M/H	46	61	63	66	65	66	61	55
FRF/EW-315-T/H	52	62	66	71	71	70	64	60
FRF/EW-400-M/L	36	56	53	58	56	54	52	54
FRF/EW-400-M/H	40	64	63	69	66	64	59	61
FRF/EW-400-T/H	43	54	66	71	76	74	68	64
FRF/EW-450-M/L	38	58	59	67	73	70	63	50
FRF/EW-500-M/L	41	54	57	65	67	63	57	51
FRF/EW-500-T/H	50	63	67	75	79	73	69	63

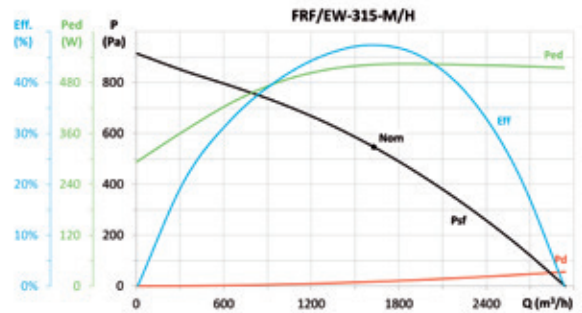
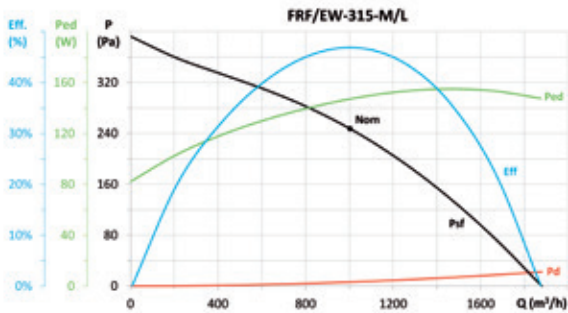
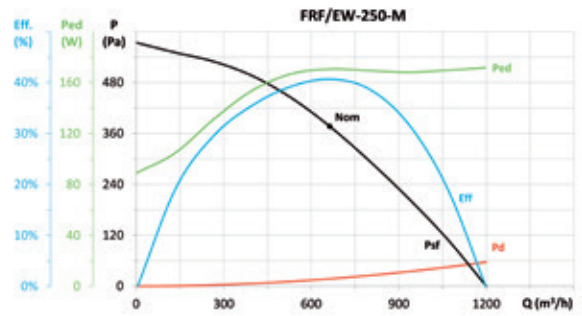
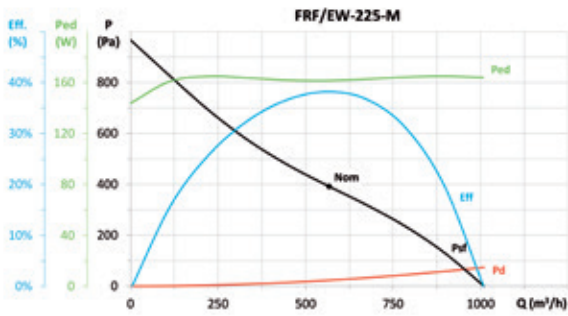
Dimensions mm



Model	A	ØD*	F	G	H	ØI
FRF/EW-225	480	200	470	400	50	12
FRF/EW-250	480	250	470	400	50	12
FRF/EW-315	630	250	630	560	50	12
FRF/EW-400	670	355	700	630	100	15
FRF/EW-450	930	500	970	900	100	15
FRF/EW-500	930	500	970	900	100	15

(*) Recommended pipe nominal diameter

Characteristic curves



Characteristic curves

