

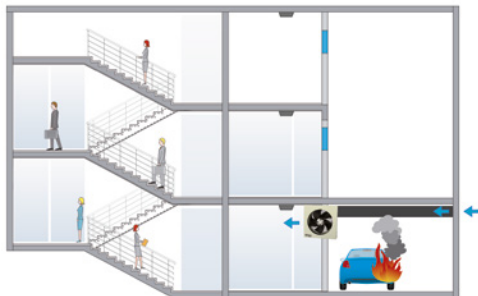
# PRESSKIT



**Pressurisation equipment for lobbies, compliant with DM 30/11/1983 and designed according to the European standard EN 12101-6**



Certified: NR331151



+50 Pa

The PRESSKIT equipment is comprised of one or more fans. In the event of a fire, they are activated to exert an overpressure of 50 Pa in safe areas and to prevent the entry of smoke in the evacuation routes for people.

#### Common features:

- Self-regulation of pressure throughout the lobby.
- EC brushless fans 24 V DC with a maximum flow of 2100 m<sup>3</sup>/H.
- Maintain an overpressure of 50 Pa in hallways.

#### CONTROL PANEL

- S models: simplified regulation of the ventilation unit by means of a pressure probe with incorporated PID signal regulator.
- P models: PLC control with multiple inputs, outputs, alarms and fan regulation through PID signal.
- Power panel with autonomy of more than 2 hours using 18Ah batteries.
- Easy connection of equipment.
- Quick configuration and adjustment of all parameters through LCD screen and keyboard.
- MANUAL system activation button.
- Real time visualization of the pressure of the safe zone and the status of the equipment.
- Control panel of the system by means of a PLC of reduced size and easy installation. 230 VAC power.

- Open door detection digital input.
- Digital outputs indicating activated fire alarm. By visual and acoustic indicator in intermittent mode with configurable times.
- Configurable connection delay times in the event of fire alarm detection and open fire doors.
- Visualization of pressure in Pa in real time. Status indication of the STANDBY/PRESSURIZING equipment.
- Possibility of controlling 2 fans with a single panel and power supply. (PRESSKIT TWIN).
- Key lock.

#### PRESSURIZATION FAN

- Wall fan for 310 mm diameter ducts.
- Lifespan in continuous work of more than 20,000 hours.
- Impeller made of painted sheet steel.
- Anti-contact protection grid.

#### PRESSURE SENSOR WITH DISPLAY (INCORPORATED IN CONTROL PANEL)

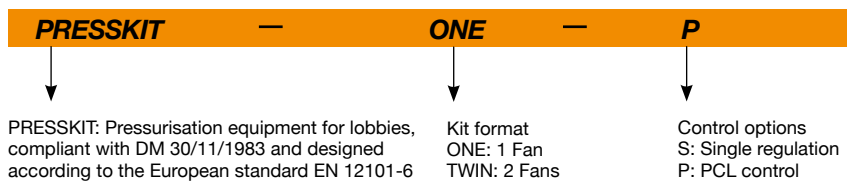
- Preset differential pressure sensor of 0-100 Pa.
- LCD screen.
- High precision calibrated analog sensor.



#### Control panel characteristics

- Total voltage (V): 1x230
- Output voltage 1 (V): 19.7-28 V DC
- Max. Output current 1 (A): 6
- Protection (IP): 44
- Approx. weight (Kg): 30.5
- Total current (A): 0.3
- Output voltage 2 (V): 19.7-28 V DC
- Max. Output current 2 (A): 7
- Operating temperature (°C): -25 a +60

#### Order code

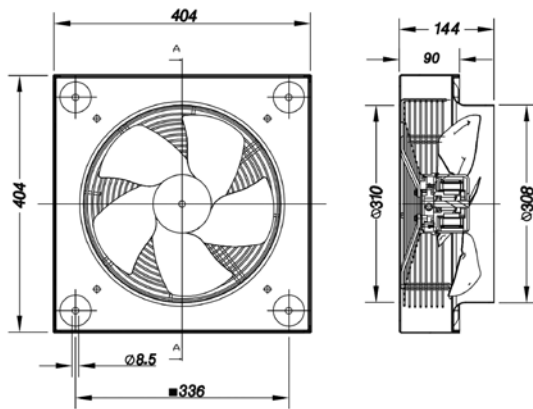


## Technical characteristics

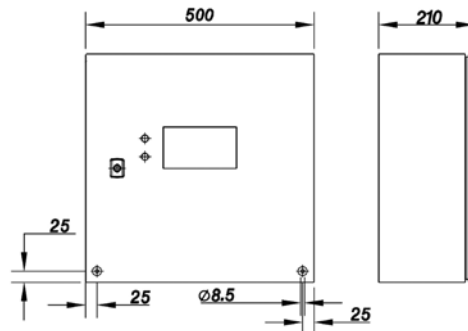
Model	Flow rate (m <sup>3</sup> /h)	Maximum pressure (Pa)	Speed (r/min)	LpA irradiated 3 m dB(A)	Total voltage (V)	Total current (A)	Total power (w)	Approx. weight (Kg)	Protection (IP)	Operating temperature (°C)	Nominal diameter of conduit (mm)
PRESSKIT ONE	2100	180	1800	65	24 V DC	4.8	115	7	42	-25 a +60	310
PRESSKIT TWIN	4100	180	1800	68	24 V DC	9.6	230	14	42	-25 a +60	310

## Dimensions mm

PRESSURISATION FAN



CONTROL PANEL



## Kit characteristics

Component	PRESSKIT	
	ONE	TWIN
Regulation by means of pressure sensor	YES	YES
Regulation of several fans	-	YES*
Relay outputs to indicate the equipment is activated	YES	YES
Door sensor inputs	YES	YES

\* PRESSKIT TWIN regulates two fans simultaneously with a single pressure sensor for large lobbies/pressurised areas. The regulation of each fan is not separate, they have the same PID set point depending on the signal received from the sensor.

## Configurations

Component	PRESSKIT	
	ONE	TWIN
EC FAN BRUSHLESS 24 VDC	1 unit	2 units
CONTROL PANEL	1 unit	1 unit
PRESSURE SENSOR (BUILT INTO CONTROL PANEL)	1 unit	1 unit

## Accessories



ALARM  
PUSH  
BUTTON



CHECKER  
BATTERIES

Power source and battery output voltage checker via RJ45 connector.