

TSAT



Belt driven single inlet centrifugal fans, with electric motor, pulleys, belts, guards and forward curved impeller



Fan:

- Galvanised steel sheet casing.
- Forward curved impeller in galvanised sheet steel.
- Temperature of the air to be carried: -25 °C to +85 °C.

- Three-phase 230/400 V 50 Hz (up to 4 kW) and 400/690 V 50 Hz (powers greater than 4 kW).
- Working temperature: -25 °C +40 °C.

Finish:

- Galvanised steel sheet.

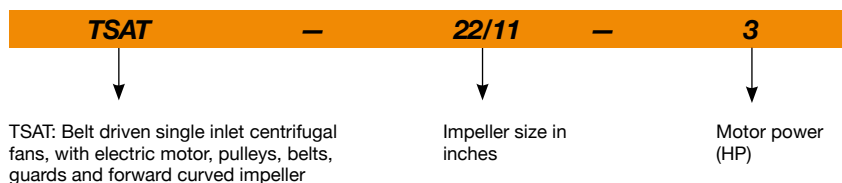
Motor:

- Motors with IE3 efficiency for powers equal to or greater than 0.75 kW, except single-phase, 2-speed and 8-pole.
- Class F motors with ball bearings and IP55 protection.

On request:

- Different outlet positions.
- Special windings for different voltages.
- With two speed motors.

Order code



Technical characteristics

Model	Speed (r/min)	Maximum admissible current (A)			Installed power (kW)	Maximum flow rate (m ³ /h)	Sound pressure level ¹ dB (A)		Approx. weight (Kg)
		230V	400V	690V			Inlet		
TSAT-12/6-0.75	1000	2.17	1.25		0.55	2600	70	73	
TSAT-12/6-1 IE3	1100	2.82	1.62		0.75	3100	73	75	
TSAT-12/6-1.5 IE3	1250	4.07	2.34		1.10	3500	75	81	
TSAT-12/6-2 IE3	1300	5.41	3.11		1.50	4250	78	88	
TSAT-12/6-3 IE3	1500	7.93	4.56		2.20	4800	80	86	
TSAT-15/7-1 IE3	800	2.82	1.62		0.75	4000	69	93	
TSAT-15/7-1.5 IE3	850	4.07	2.34		1.10	4800	71	99	
TSAT-15/7-2 IE3	920	5.41	3.11		1.50	5400	73	106	
TSAT-15/7-3 IE3	1000	7.93	4.56		2.20	6400	75	104	
TSAT-15/7-4 IE3	1050	10.70	6.15		3.00	7400	77	111	
TSAT-18/9-1.5 IE3	750	4.07	2.34		1.10	5800	68	115	
TSAT-18/9-2 IE3	790	5.41	3.11		1.50	6600	70	122	
TSAT-18/9-3 IE3	800	7.93	4.56		2.20	8200	73	120	
TSAT-18/9-4 IE3	850	10.70	6.15		3.00	9000	75	127	
TSAT-18/9-5.5 IE3	920	13.90	8.00		4.00	10500	78	127	

Technical characteristics

Model	Speed (r/min)	Maximum admissible current (A)			Installed power (kW)	Maximum flow rate (m ³ /h)	Sound pressure level ¹ dB (A) Inlet	Approx. weight (Kg)
		230V	400V	690V				
TSAT-20/10-2 IE3	650	5.41	3.11		1.50	8100	68	211
TSAT-20/10-3 IE3	690	7.93	4.56		2.20	10100	70	209
TSAT-20/10-4 IE3	750	10.70	6.15		3.00	11500	72	216
TSAT-20/10-5.5 IE3	790	13.90	8.00		4.00	13100	74	216
TSAT-20/10-7.5 IE3	850		10.30	5.97	5.50	15000	76	250
TSAT-22/11-3 IE3	580	7.93	4.56		2.20	11200	69	220
TSAT-22/11-4 IE3	610	10.70	6.15		3.00	13000	70	227
TSAT-22/11-5.5 IE3	650	13.90	8.00		4.00	15000	72	227
TSAT-22/11-7.5 IE3	690		10.30	5.97	5.50	17000	74	261
TSAT-22/11-10 IE3	750		13.90	8.06	7.50	19000	76	262
TSAT-22/11-15 IE3	830		20.90	12.10	11.00	22000	79	298
TSAT-22/11-20 IE3	910		27.90	16.20	15.00	24500	81	309
TSAT-22/11-25 IE3	1000		35.10	20.30	18.50	26000	83	354
TSAT-25/13-4 IE3	520	10.70	6.15		3.00	14000	63	259
TSAT-25/13-5.5 IE3	550	13.90	8.00		4.00	17000	65	259
TSAT-25/13-7.5 IE3	590		10.30	5.97	5.50	19500	68	293
TSAT-25/13-10 IE3	620		13.90	8.06	7.50	23000	70	294
TSAT-25/13-15 IE3	690		20.90	12.10	11.00	26500	73	330
TSAT-25/13-20 IE3	750		27.90	16.20	15.00	29500	75	341
TSAT-25/13-25 IE3	810		35.10	20.30	18.50	32000	77	386
TSAT-30/14-5.5 IE3	400	13.90	8.00		4.00	21000	70	333
TSAT-30/14-7.5 IE3	425		10.30	5.97	5.50	24000	72	367
TSAT-30/14-10 IE3	460		13.90	8.06	7.50	27500	74	368
TSAT-30/14-15 IE3	500		20.90	12.10	11.00	33000	77	404
TSAT-30/14-20 IE3	550		27.90	16.20	15.00	36500	79	415
TSAT-30/14-25 IE3	600		35.10	20.30	18.50	38000	80	460

1. The noise level values are pressures in dB(A) measured at a distance of 3 metres in a free field.

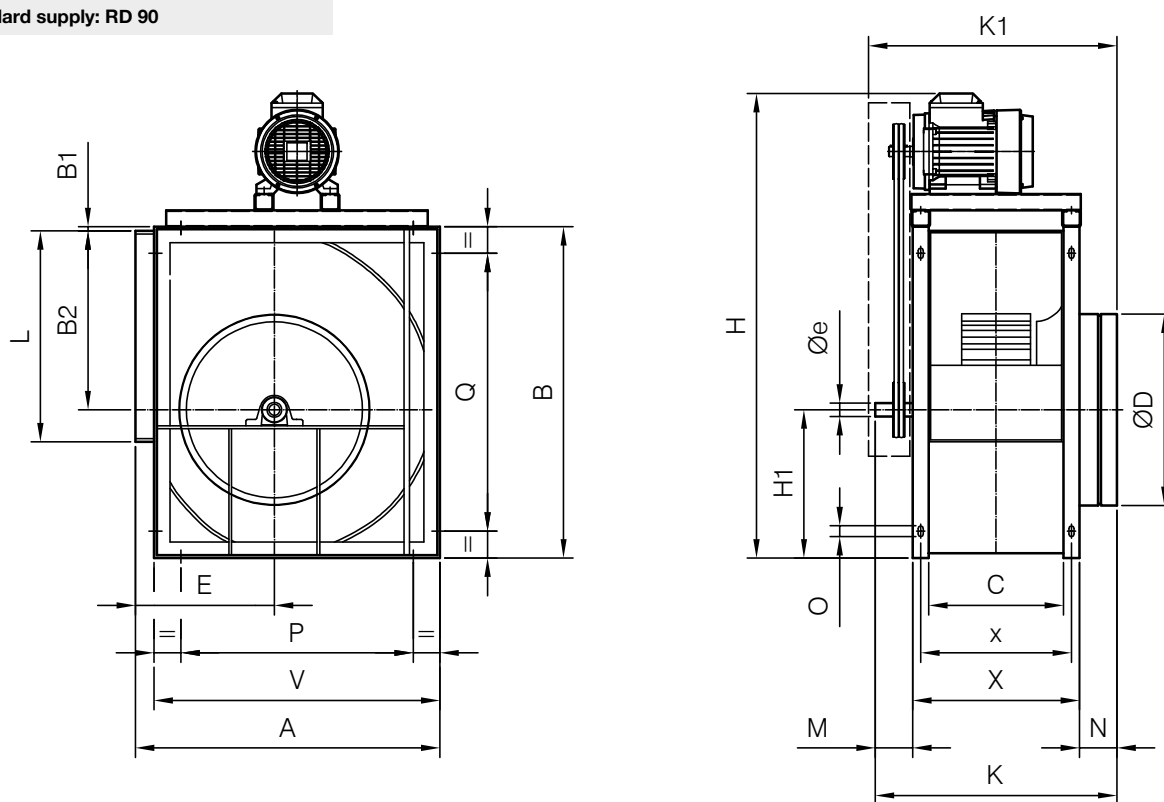


Erp. (Energy Related Products)

Information on Directive 2009/125/EC can be downloaded from the SODECA website or the QuickFan selector programme.

Dimensions mm

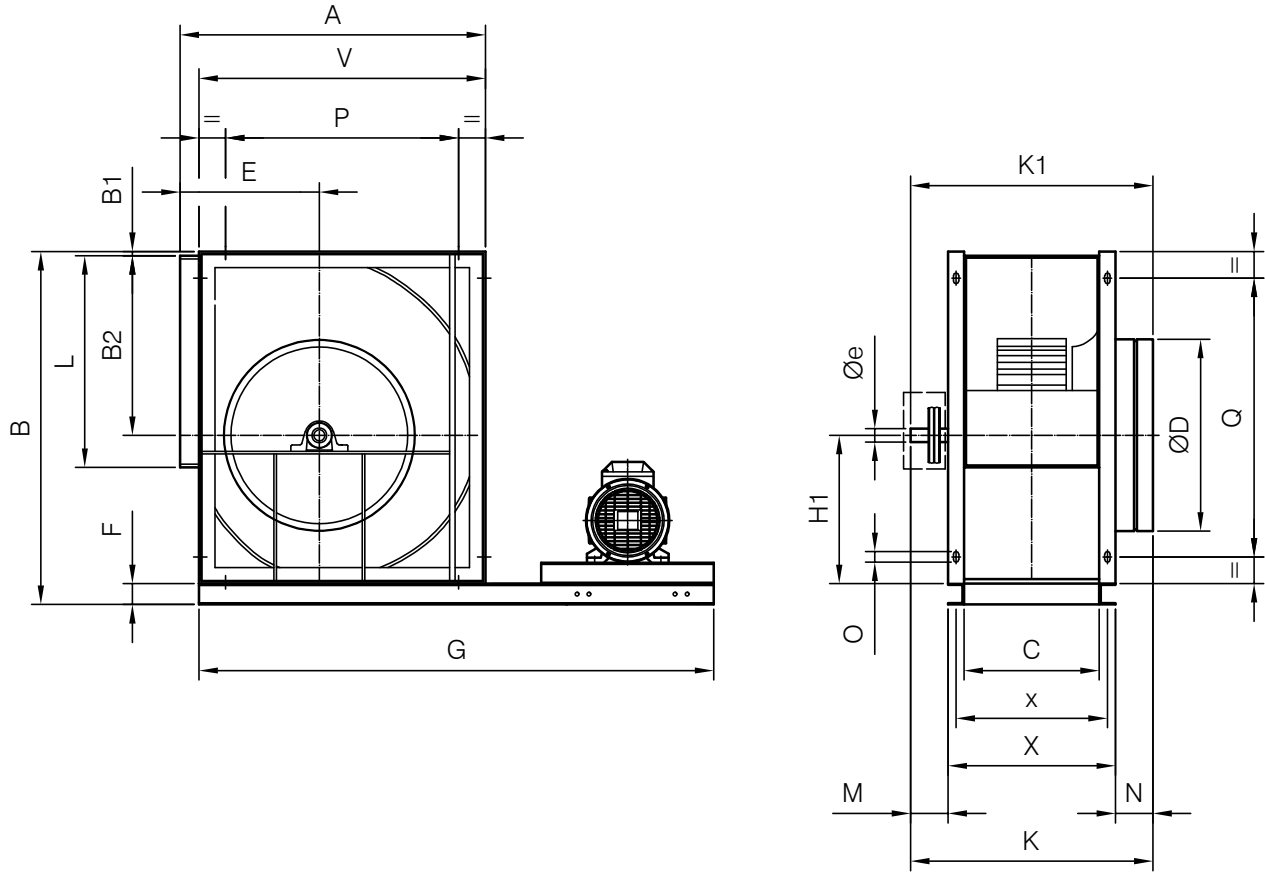
Standard supply: RD 90



	A	B	B1	B2	C	øD	E	øe	H	H1	K	K1	L	M	N	O	P	Q	V	X	x
TSAT-12/6-0.75	498	532	-	290	210	317	230	25	805	242	435	475	345	75	90	9x17	324	324	468	270	242
TSAT-12/6-1	498	532	-	290	210	317	230	25	805	242	435	475	345	75	90	9x17	324	324	468	270	242
TSAT-12/6-1.5	498	532	-	290	210	317	230	25	825	242	435	475	345	75	90	9x17	324	324	468	270	242
TSAT-12/6-2	498	532	-	290	210	317	230	25	825	242	435	475	345	75	90	9x17	324	324	468	270	242
TSAT-12/6-3	498	532	-	290	210	317	230	25	845	242	435	475	345	75	90	9x17	324	324	468	270	242
TSAT-15/7-1	583	632	-	348	269	400	265	25	905	284	494	535	404	75	90	9x17	406	406	553	329	301
TSAT-15/7-1.5	583	632	-	348	269	400	265	25	925	284	494	535	404	75	90	9x17	406	406	553	329	301
TSAT-15/7-2	583	632	-	348	269	400	265	25	925	284	494	535	404	75	90	9x17	406	406	553	329	301
TSAT-15/7-3	583	632	-	348	269	400	265	25	945	284	494	535	404	75	90	9x17	406	406	553	329	301
TSAT-15/7-4	583	632	-	348	269	400	265	25	945	284	494	535	404	75	90	9x17	406	406	553	329	301
TSAT-18/9-1.5	694	756	-	415	301	480	323	25	1050	341	526	566	482	75	90	9x17	520	608	664	361	333
TSAT-18/9-2	694	756	-	415	301	480	323	25	1050	341	526	566	482	75	90	9x17	520	608	664	361	333
TSAT-18/9-3	694	756	-	415	301	480	323	25	1070	341	526	566	482	75	90	9x17	520	608	664	361	333
TSAT-18/9-4	694	756	-	415	301	480	323	25	1070	341	526	566	482	75	90	9x17	520	608	664	361	333
TSAT-18/9-5.5	694	756	-	415	301	480	323	25	1095	341	526	566	482	75	90	9x17	520	608	664	361	333
TSAT-20/10-2	843	963	35	523	330	582	375	35	1255	440	620	670	603	100	110	9x17	646	811	798	410	370
TSAT-20/10-3	843	963	35	523	330	582	375	35	1275	440	620	670	603	100	110	9x17	646	811	798	410	370
TSAT-20/10-4	843	963	35	523	330	582	375	35	1275	440	620	670	603	100	110	9x17	646	811	798	410	370
TSAT-20/10-5.5	843	963	35	523	330	582	375	35	1300	440	620	670	603	100	110	9x17	646	811	798	410	370
TSAT-22/11-3	913	1046	35	569	358	625	400	35	1355	477	648	700	693	100	110	9x17	716	894	868	438	398
TSAT-22/11-4	913	1046	35	569	358	625	400	35	1355	477	648	700	693	100	110	9x17	716	894	868	438	398
TSAT-22/11-5.5	913	1046	35	569	358	625	400	35	1280	477	648	700	693	100	110	9x17	716	894	868	438	398
TSAT-25/13-4	998	1161	35	642	412	703	423	35	1470	519	701	750	793	100	110	9x17	801	1009	953	492	452
TSAT-25/13-5.5	998	1161	35	642	412	703	423	35	1495	519	701	750	793	100	110	9x17	801	1009	953	492	452
TSAT-30/14-5.5	1206	1400	35	776	474	804	515	40	1735	624	764	815	933	100	110	9x17	1009	1248	1161	554	514

Dimensions mm

Standard supply: RD 90



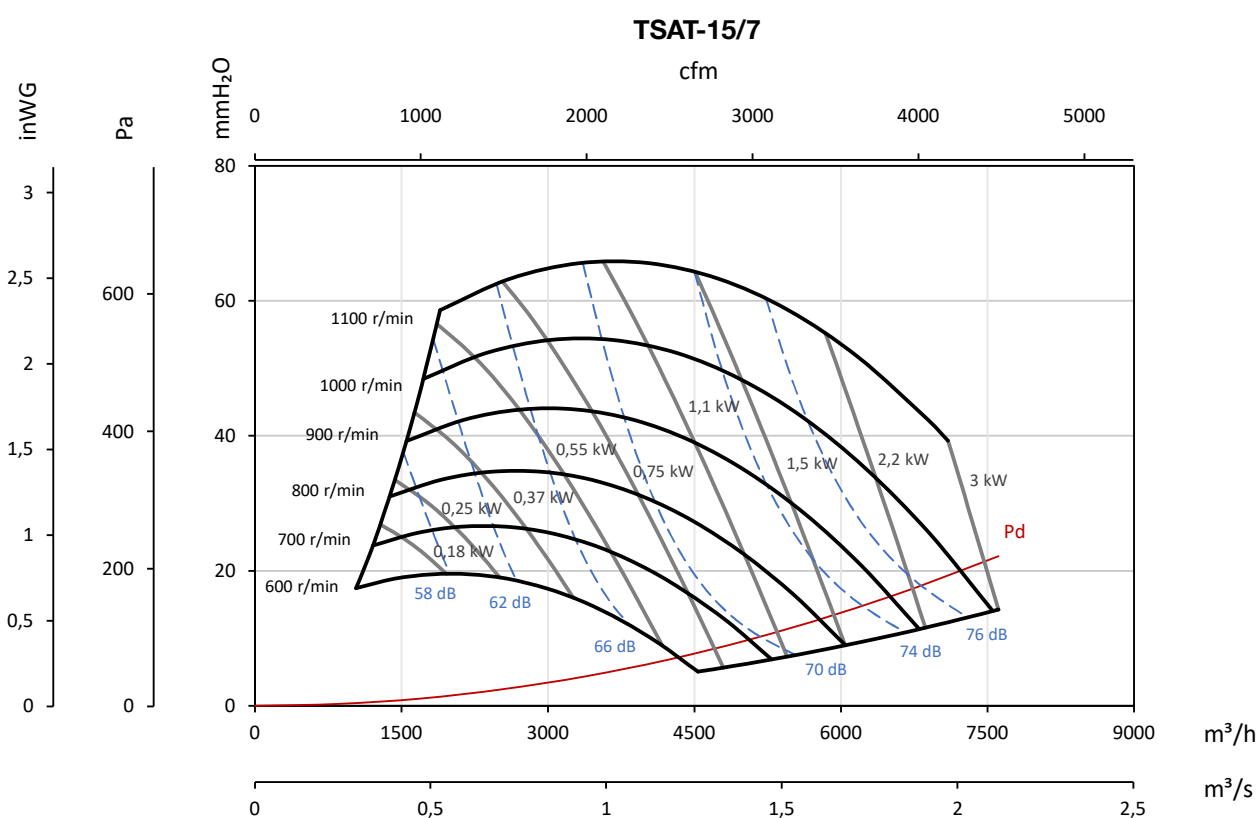
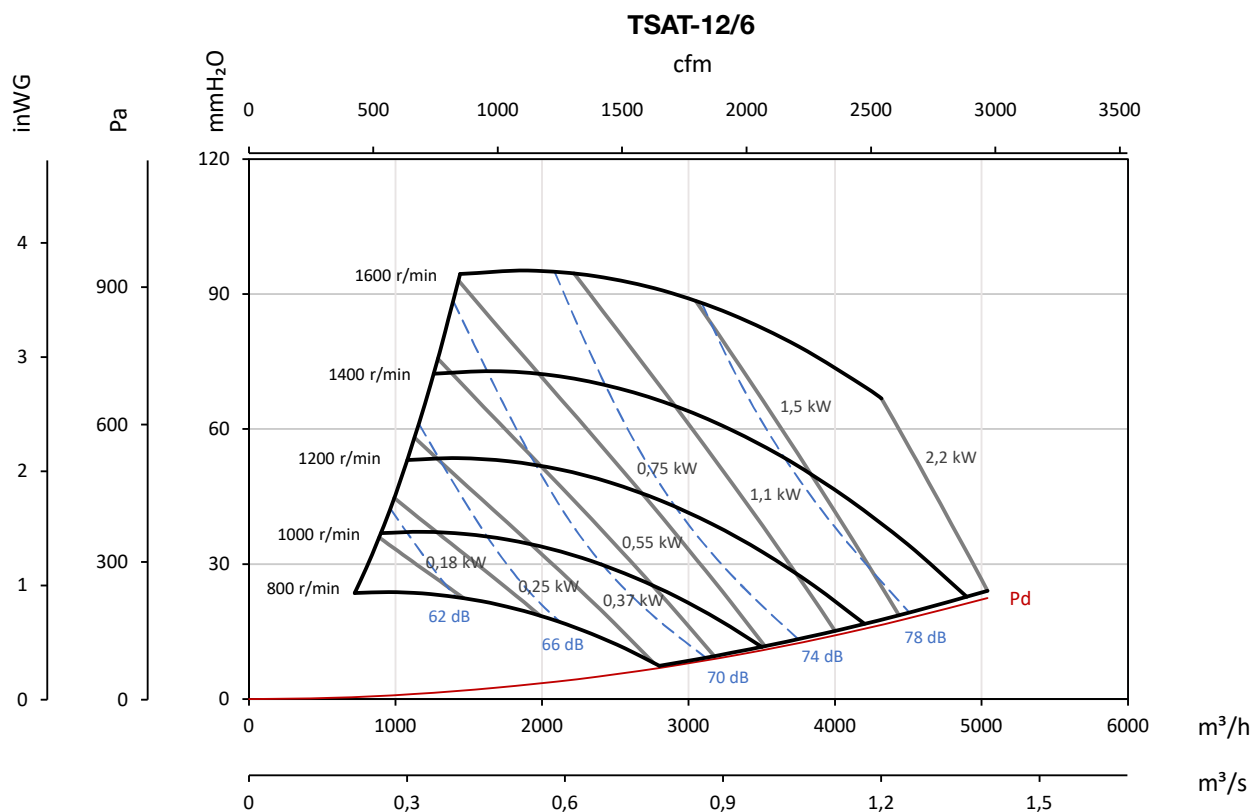
	A	B	B1	B2	C	øD	E	øe	F	G	H1	K	K1	L	M	N	O	P	Q	V	X	x
TSAT-20/10-7.5	843	963	35	523	330	582	375	35	35	1300	440	620	670	603	100	110	9x17	646	811	798	410	370
TSAT-22/11-7.5	913	1046	35	569	358	625	400	35	35	1395	477	648	700	693	100	110	9x17	716	894	868	438	398
TSAT-22/11-10	913	1046	35	569	358	625	400	35	35	1395	477	648	700	693	100	110	9x17	716	894	868	438	398
TSAT-22/11-15	913	1046	35	569	358	625	400	35	35	1395	477	648	700	693	100	110	9x17	716	894	868	438	398
TSAT-22/11-20	913	1046	35	569	358	625	400	35	35	1395	477	648	700	693	100	110	9x17	716	894	868	438	398
TSAT-22/11-25	913	1046	35	569	358	625	400	35	35	1395	477	648	700	693	100	110	9x17	716	894	868	438	398
TSAT-25/13-7.5	998	1161	35	642	412	703	423	35	35	1575	519	701	750	793	100	110	9x17	801	1009	953	492	452
TSAT-25/13-10	998	1161	35	642	412	703	423	35	35	1575	519	701	750	793	100	110	9x17	801	1009	953	492	452
TSAT-25/13-15	998	1161	35	642	412	703	423	35	35	1575	519	701	750	793	100	110	9x17	801	1009	953	492	452
TSAT-25/13-20	998	1161	35	642	412	703	423	35	35	1575	519	701	750	793	100	110	9x17	801	1009	953	492	452
TSAT-25/13-25	998	1161	35	642	412	703	423	35	35	1575	519	701	750	793	100	110	9x17	801	1009	953	492	452
TSAT-30/14-7.5	1206	1400	35	776	474	804	515	40	35	1715	624	764	815	933	100	110	9x17	1009	1248	1161	554	514
TSAT-30/14-10	1206	1400	35	776	474	804	515	40	35	1715	624	764	815	933	100	110	9x17	1009	1248	1161	554	514
TSAT-30/14-15	1206	1400	35	776	474	804	515	40	35	1715	624	764	815	933	100	110	9x17	1009	1248	1161	554	514
TSAT-30/14-20	1206	1400	35	776	474	804	515	40	35	1715	624	764	815	933	100	110	9x17	1009	1248	1161	554	514
TSAT-30/14-25	1206	1400	35	776	474	804	515	40	35	1715	624	764	815	933	100	110	9x17	1009	1248	1161	554	514

Characteristic curves

Q= Flow rate in m³/h, m³/s and cfm

Pe= Static pressure in mm H₂O, Pa and inWG

The noise levels indicated in the curves are at inlet pressures measured in a free field at 3 m.

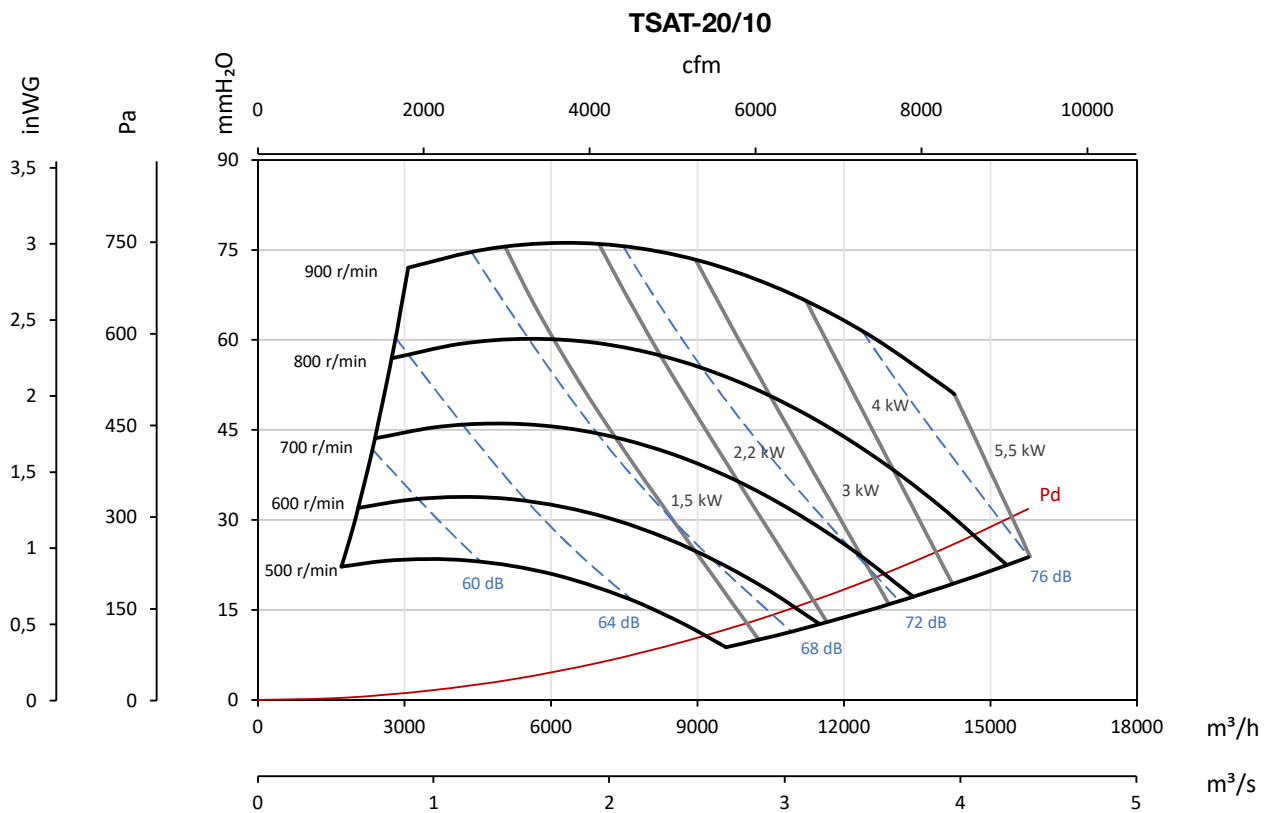
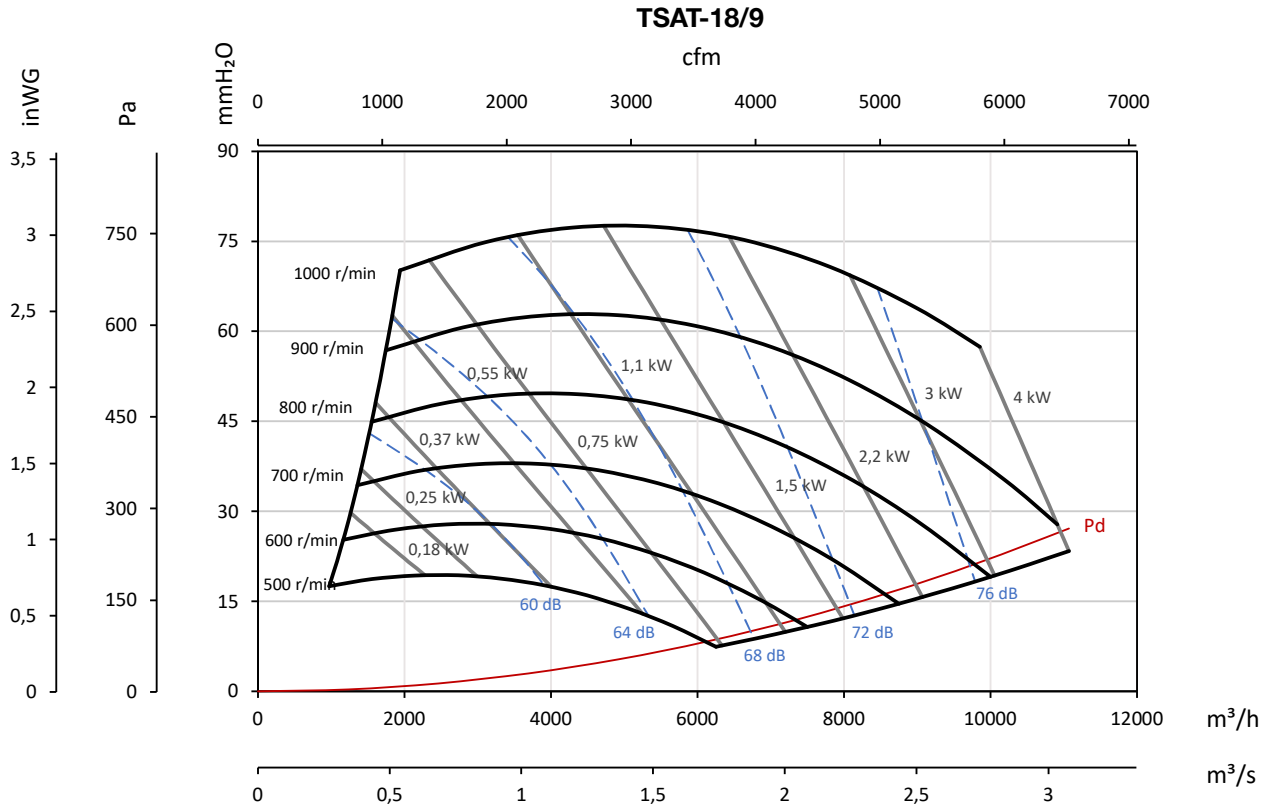


Characteristic curves

Q= Flow rate in m³/h, m³/s and cfm

Pe= Static pressure in mm H₂O, Pa and inwg

The noise levels indicated in the curves are at inlet pressures measured in a free field at 3 m.

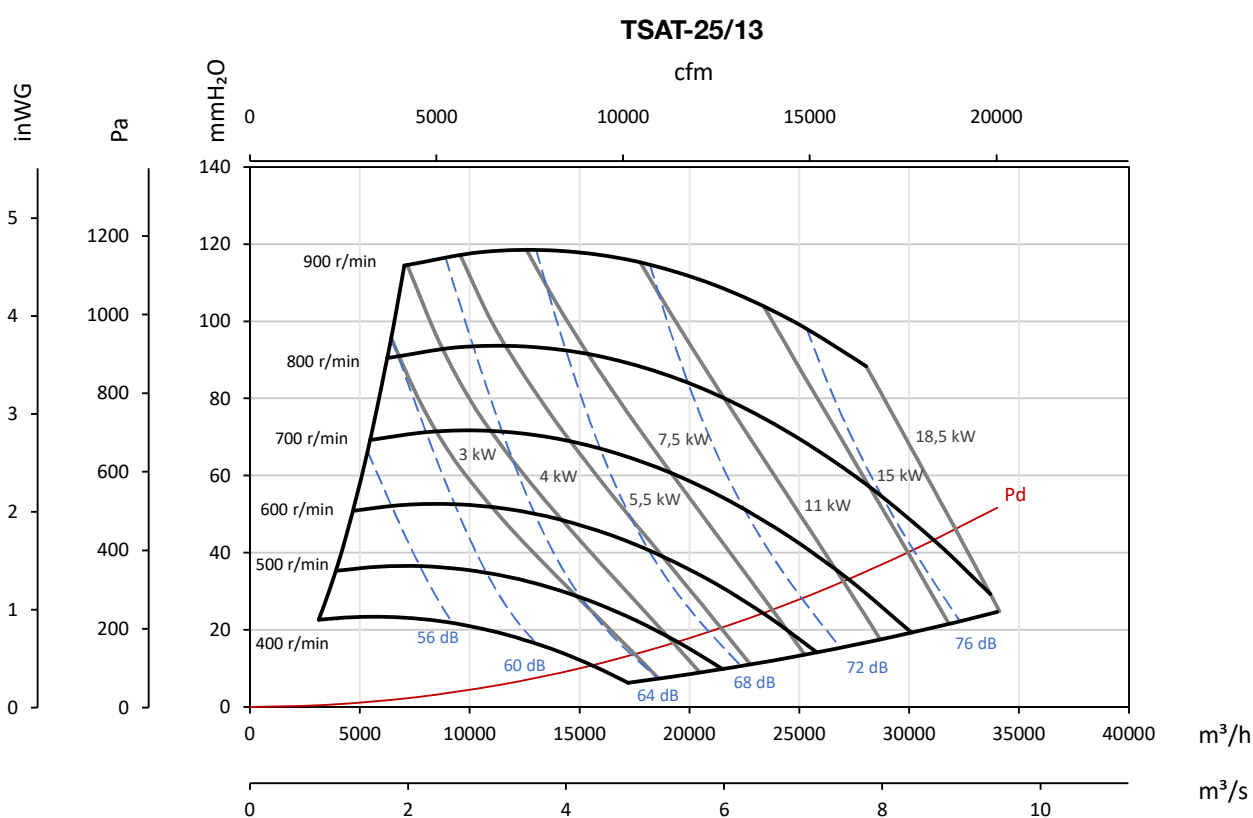
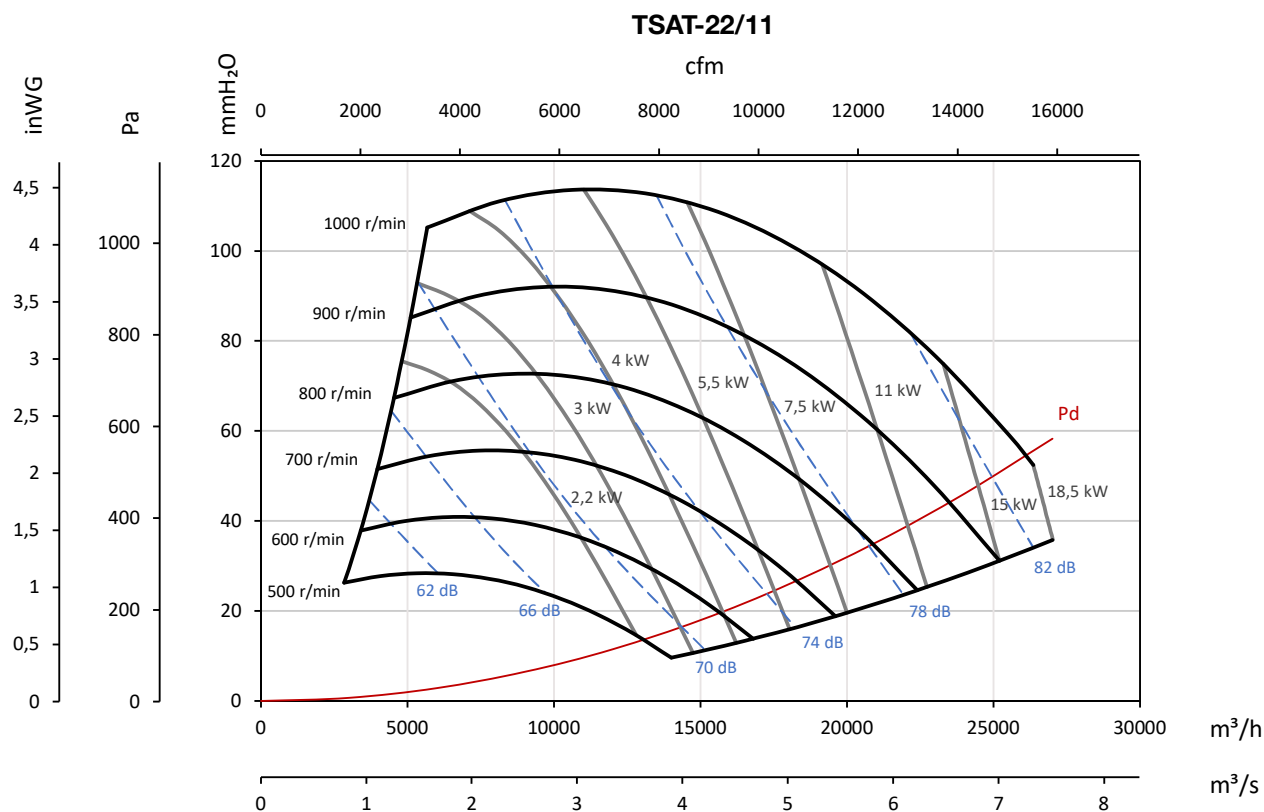


Characteristic curves

Q= Flow rate in m³/h, m³/s and cfm

Pe= Static pressure in mm H₂O, Pa and inWG

The noise levels indicated in the curves are at inlet pressures measured in a free field at 3 m.

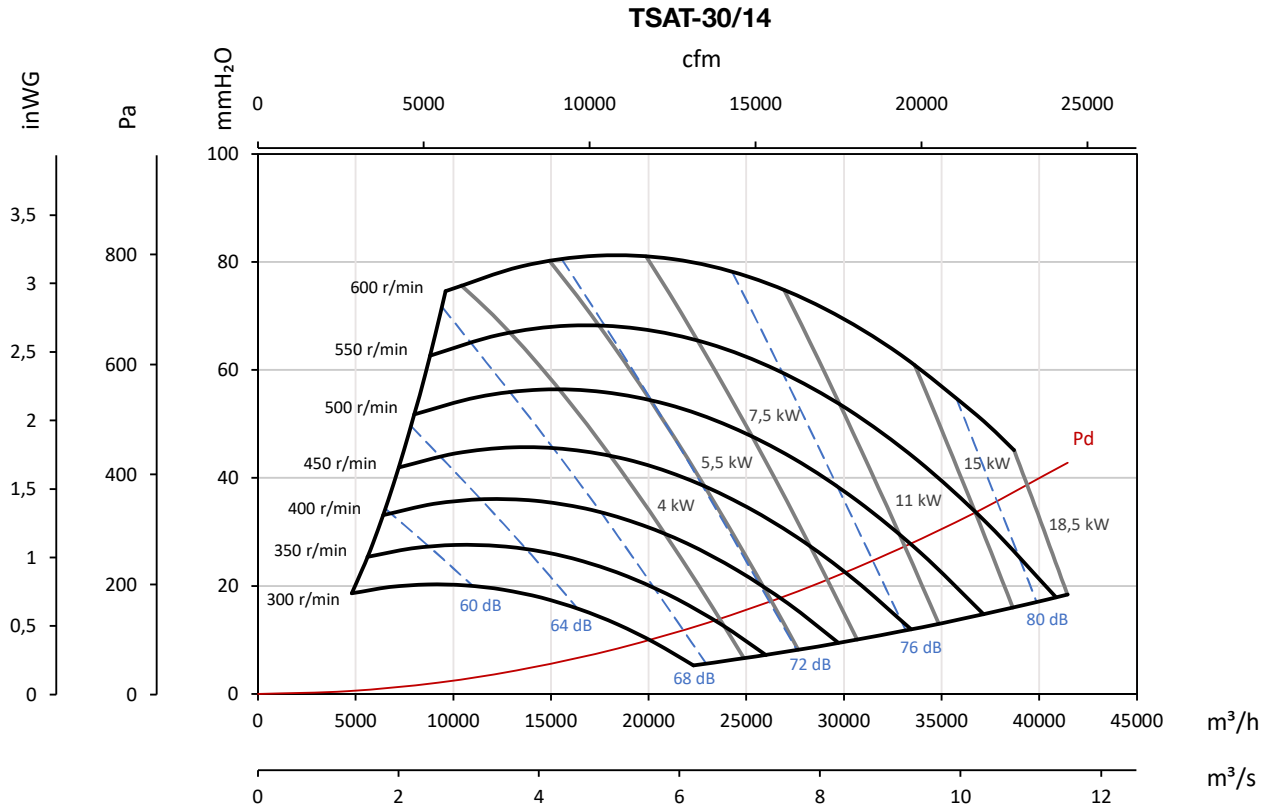


Characteristic curves

Q= Flow rate in m³/h, m³/s and cfm

Pe= Static pressure in mm H₂O, Pa and inWG

The noise levels indicated in the curves are at inlet pressures measured in a free field at 3 m.



Accessories



INT



VSD3/A-RFT
- VSD1/A-RFM



AET



VIS



ACE ACE/400



TEJ