

HCH/SEC

Fans designed with the best technology and experience to withstand extreme working conditions in ceramic and wood drying kilns



Fan:

- Support ring made of sheet steel or AISI-304 stainless steel, depending on version.
- Cast aluminium impeller.
- Airflow direction from motor to impeller.

Motor version 90°C 100% RH:

- Class H motors with ball bearings specially designed for high temperatures, IP55 protection.
- Motors with external ventilation.
- Three-phase 230/400V-50Hz (up to 3kW) and 400/690V-50Hz (powers higher than 3kW).
- Operating temperature: -10°C +90°C y 100% relative humidity.

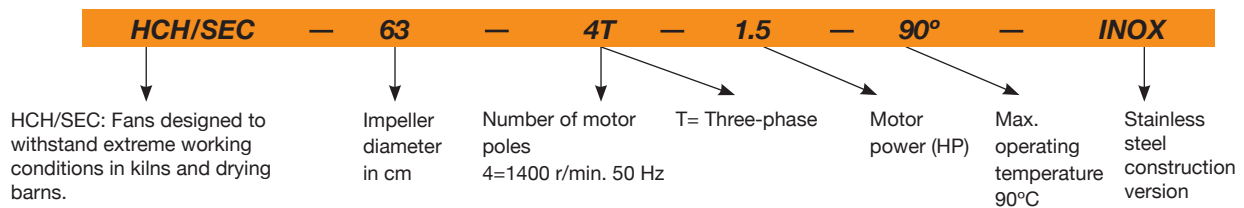
Finish:

- Anti-corrosive finish of polyester resin polymerised at 190°C, previously degreased with phosphate-free nanotechnological treatment.
- Stainless steel with shot peen finish version.

On request:

- Any HCH series model can be converted to HCH/SEC.
- Airflow direction from impeller to motor.
- 100% reversible impellers.
- Special windings for different voltages.
- Support ring made of AISI-316 stainless steel.

Order code



Technical characteristics

| Model | Speed (r/min) | Max. admissible current (A) | | Installed power (kW) | Maximum flow rate (m³/h) | Sound pressure level dB(A) | Approx. weight (kg) |
|-------------------|------------------|-----------------------------|------|-------------------------|-----------------------------|-------------------------------|------------------------|
| | | 230V | 400V | | | | |
| HCH/SEC-63-4T-1.5 | 1450 | 5.2 | 3 | 1.1 | 17000 | 74 | 39 |
| HCH/SEC-63-4T-2 | 1450 | 6.41 | 3.7 | 1.5 | 18900 | 75 | 42 |
| HCH/SEC-63-4T-3 | 1450 | 8.49 | 4.9 | 2.2 | 22100 | 76 | 50 |
| HCH/SEC-63-4T-4 | 1450 | 11.78 | 6.8 | 3 | 25400 | 77 | 52 |
| HCH/SEC-71-4T-1.5 | 1450 | 5.2 | 3 | 1.1 | 19750 | 78 | 45 |
| HCH/SEC-71-4T-2 | 1450 | 6.41 | 3.7 | 1.5 | 21100 | 79 | 47 |
| HCH/SEC-71-4T-3 | 1450 | 8.49 | 4.9 | 2.2 | 23950 | 81 | 56 |
| HCH/SEC-71-4T-4 | 1450 | 11.78 | 6.8 | 3 | 29400 | 82 | 58 |
| HCH/SEC-80-4T-3 | 1450 | 8.49 | 4.9 | 2.2 | 28000 | 82 | 73 |
| HCH/SEC-80-4T-4 | 1450 | 11.78 | 6.8 | 3 | 32700 | 83 | 75 |
| HCH/SEC-80-4T-5.5 | 1450 | 15.24 | 8.8 | 4 | 37200 | 84 | 80 |

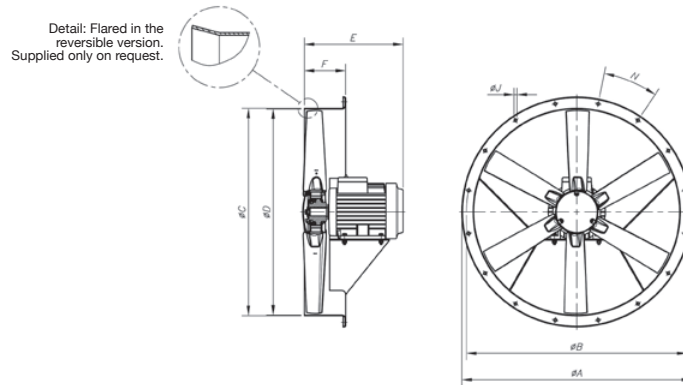
Acoustic characteristics

The indicated values are determined by measuring the sound pressure level and sound power in dB(A) obtained in a free field at a distance equivalent to twice the size of the fan plus the impeller diameter, with a minimum of 1.5 m.

Noise power spectrum Lw(A) in dB(A) frequency band in [Hz]

| Model | 63 | 125 | 250 | 500 | 1000 | 2000 | 4000 | 8000 | Model | 63 | 125 | 250 | 500 | 1000 | 2000 | 4000 | 8000 |
|-------------------|----|-----|-----|-----|------|------|------|------|-------------------|----|-----|-----|-----|------|------|------|------|
| HCH/SEC-63-4T-1.5 | 51 | 71 | 79 | 84 | 86 | 83 | 76 | 65 | HCH/SEC-71-4T-3 | 58 | 78 | 86 | 91 | 93 | 90 | 83 | 72 |
| HCH/SEC-63-4T-2 | 52 | 72 | 80 | 85 | 87 | 84 | 77 | 66 | HCH/SEC-71-4T-4 | 59 | 79 | 87 | 92 | 94 | 91 | 84 | 73 |
| HCH/SEC-63-4T-3 | 53 | 73 | 81 | 86 | 88 | 85 | 78 | 67 | HCH/SEC-80-4T-3 | 59 | 79 | 87 | 92 | 94 | 91 | 84 | 73 |
| HCH/SEC-63-4T-4 | 54 | 74 | 82 | 87 | 89 | 86 | 79 | 68 | HCH/SEC-80-4T-4 | 60 | 80 | 88 | 93 | 95 | 92 | 85 | 74 |
| HCH/SEC-71-4T-1.5 | 55 | 75 | 83 | 88 | 90 | 87 | 80 | 69 | HCH/SEC-80-4T-5.5 | 61 | 81 | 89 | 94 | 96 | 93 | 86 | 75 |
| HCH/SEC-71-4T-2 | 56 | 76 | 84 | 89 | 91 | 88 | 81 | 70 | | | | | | | | | |

Dimensions mm



| Model | ØA | ØB | ØC | ØD | E | | | | | F | ØJ | N |
|--------------|-----|-----|-----|-----|-----|-----|-----|-----|-----|-----|----|-------------|
| | | | | | 1.5 | 2 | 3 | 4 | 5 | | | |
| HCH/SEC-63-4 | 730 | 690 | 645 | 640 | 305 | 330 | 360 | 360 | - | 150 | 12 | 12 X 30° |
| HCH/SEC-71-4 | 810 | 770 | 715 | 710 | 302 | 322 | 367 | 367 | - | 150 | 12 | 16 X 22°30' |
| HCH/SEC-80-4 | 900 | 860 | 805 | 800 | - | - | 375 | 375 | 390 | 180 | 12 | 16 X 22°30' |

Characteristic curves

See HCH series curves

Accessories

See accessories section.



INT

VSD3/A-RFT
VSD1/A-RFM

ELECTRIC
CONTROL
PANELS

R

RI