

Technical characteristics

Model	Speed (r/min)	Maximum admissible current (A)			Installed power (kW)	Maximum flow rate (m ³ /h)	Working temperature (°C)		Mounting type	Approx. weight (Kg)
		230V	400V	690V			min.	max.		
CBXT-12/12-0.75	675	2.17	1.25		0.55	4800	-25	+50	A	71
CBXT-12/12-1 IE3	765	2.82	1.62		0.75	5400	-25	+50	A	72
CBXT-12/12-1.5 IE3	855	4.07	2.34		1.10	5800	-25	+50	A	75
CBXT-12/12-2 IE3	965	5.41	3.11		1.50	6500	-25	+50	A	79
CBXT-12/12-3 IE3	1180	7.93	4.56		2.20	7400	-25	+50	B	87
CBXT-15/15-0.75	525	2.17	1.25		0.55	5900	-25	+50	B	85
CBXT-15/15-1 IE3	595	2.82	1.62		0.75	6500	-25	+50	B	86
CBXT-15/15-1.5 IE3	635	4.07	2.34		1.10	7500	-25	+50	B	89
CBXT-15/15-2 IE3	670	5.41	3.11		1.50	8200	-25	+50	B	93
CBXT-15/15-3 IE3	740	7.93	4.56		2.20	9500	-25	+50	B	101
CBXT-15/15-4 IE3	805	10.70	6.15		3.00	10600	-25	+50	B	103
CBXT-15/15-5.5 IE3	965	13.90	8.00		4.00	12000	-25	+50	C	108
CBXT-18/18-1.5 IE3	480	4.07	2.34		1.10	9000	-25	+50	B	122
CBXT-18/18-2 IE3	605	5.41	3.11		1.50	9250	-25	+50	B	125
CBXT-18/18-3 IE3	590	7.93	4.56		2.20	11500	-25	+50	B	134
CBXT-18/18-4 IE3	640	10.70	6.15		3.00	13200	-25	+50	B	136
CBXT-18/18-5.5 IE3	675	13.90	8.00		4.00	15000	-25	+50	C	141
CBXT-18/18-7.5 IE3	760		10.30	5.97	5.50	17000	-25	+50	C	154
CBXT-20/20-2 IE3	430	5.41	3.11		1.50	11500	-25	+50	C	222
CBXT-20/20-3 IE3	530	7.93	4.56		2.20	12800	-25	+50	C	230
CBXT-20/20-4 IE3	575	10.70	6.15		3.00	14200	-25	+50	C	232
CBXT-20/20-5.5 IE3	635	13.90	8.00		4.00	15500	-25	+50	C	238
CBXT-20/20-7.5 IE3	675		10.30	5.97	5.50	17500	-25	+50	C	252
CBXT-20/20-10 IE3	725		13.90	8.06	7.50	20000	-25	+50	C	266
CBXT-22/22-2 IE3	385	5.41	3.11		1.50	14000	-25	+50	C	250
CBXT-22/22-3 IE3	475	7.93	4.56		2.20	15000	-25	+50	C	257
CBXT-22/22-4 IE3	515	10.70	6.15		3.00	17000	-25	+50	C	261
CBXT-22/22-5.5 IE3	570	13.90	8.00		4.00	19000	-25	+50	C	265
CBXT-22/22-7.5 IE3	605		10.30	5.97	5.50	21500	-25	+50	C	279
CBXT-22/22-10 IE3	725		13.90	8.06	7.50	22000	-25	+50	C	290
CBXT-22/22-15 IE3	765		20.90	12.10	11.00	27000	-25	+50	C	316
CBXT-25/25-3 IE3	375	7.93	4.56		2.20	17000	-25	+50	C	297
CBXT-25/25-4 IE3	405	10.70	6.15		3.00	20500	-25	+50	C	299
CBXT-25/25-5.5 IE3	450	13.90	8.00		4.00	22000	-25	+50	C	304
CBXT-25/25-7.5 IE3	485		10.30	5.97	5.50	24500	-25	+50	C	318
CBXT-25/25-10 IE3	545		13.90	8.06	7.50	28000	-25	+50	C	329
CBXT-25/25-15 IE3	610		20.90	12.10	11.00	32000	-25	+50	C	349
CBXT-30/28-3 IE3	330	7.93	4.56		2.20	20000	-25	+50	C	380
CBXT-30/28-4 IE3	360	10.70	6.15		3.00	22000	-25	+50	C	382
CBXT-30/28-5.5 IE3	380	13.90	8.00		4.00	25000	-25	+50	C	387
CBXT-30/28-7.5 IE3	380		10.30	5.97	5.50	31500	-25	+50	C	402
CBXT-30/28-10 IE3	410		13.90	8.06	7.50	36000	-25	+50	C	415
CBXT-30/28-15 IE3	430		20.90	12.10	11.00	42000	-25	+50	C	426
CBXT-30/28-20 IE3	480		27.90	16.20	15.00	48000	-25	+50	C	449

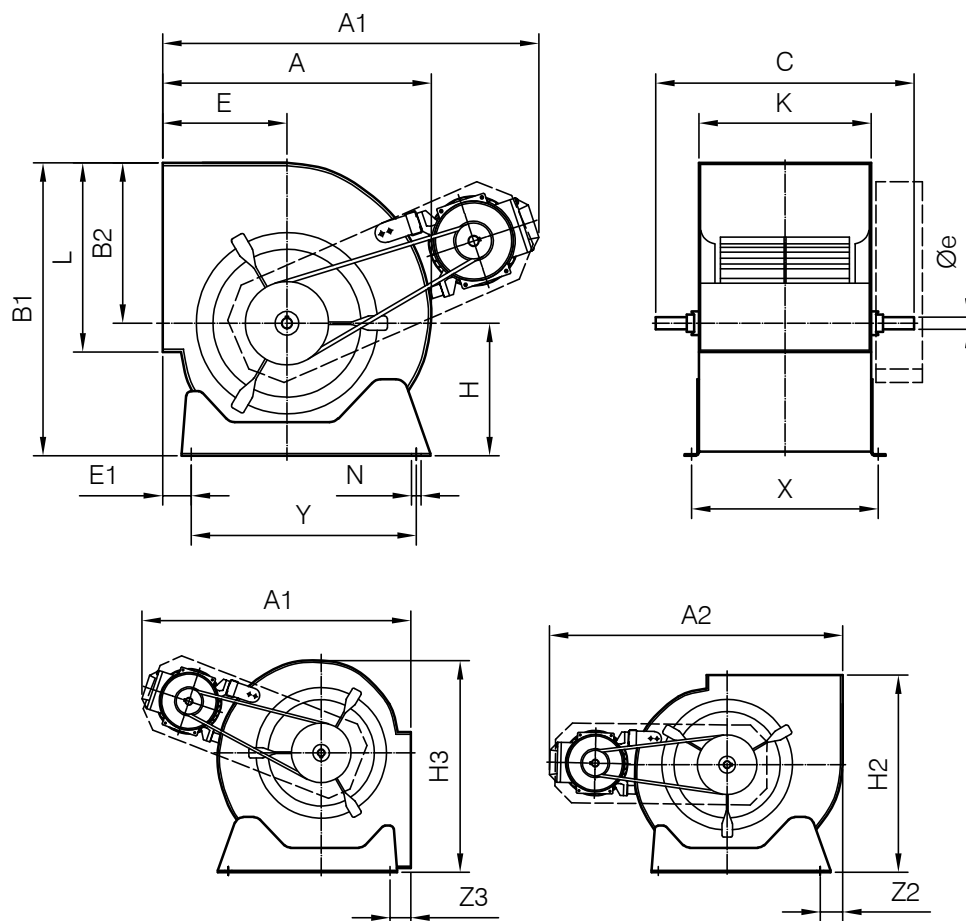


Erp. (Energy Related Products)

Information on Directive 2009/125/EC can be downloaded from the SODECA website or the QuickFan selector programme.

Dimensions mm

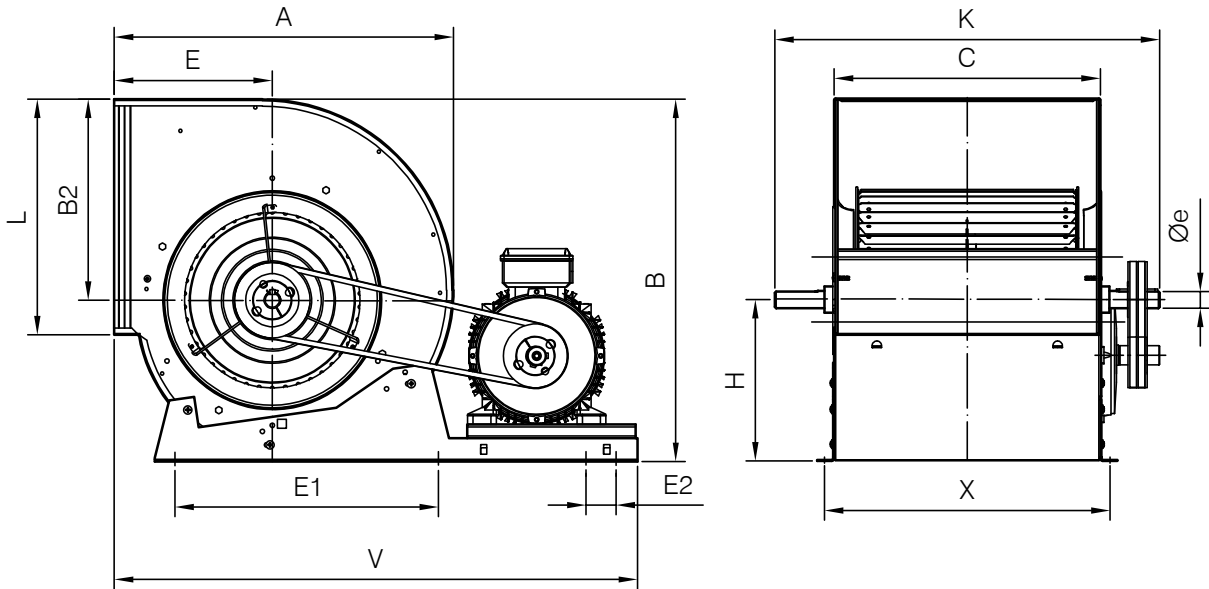
Mounting type: A
Standard supply: RD 90



	A	A1	A2	B1	B2	C	E	E1	øe	H	H2	H3	K	L	N	X	Y	Z2	Z3
CBXT-7/7-0.5	316	450	495	333	189	360	152	64	20	144	320	341	230	208	9x13	258	225	44	36
CBXT-7/7-0.75	316	470	515	333	189	360	152	64	20	144	320	341	230	208	9x13	258	225	44	36
CBXT-7/7-1	316	470	515	333	189	360	152	64	20	144	320	341	230	208	9x13	258	225	44	36
CBXT-9/9-0.25	380	490	535	400	218	430	183	78	20	182	385	395	300	263	9x13	328	275	50	57
CBXT-9/9-0.33	380	520	565	400	218	430	183	78	20	182	385	395	300	263	9x13	328	275	50	57
CBXT-9/9-0.5	380	520	565	400	218	430	183	78	20	182	385	395	300	263	9x13	328	275	50	57
CBXT-9/9-0.75	380	540	585	400	218	430	183	78	20	182	385	395	300	263	9x13	328	275	50	57
CBXT-9/9-1	380	540	585	400	218	430	183	78	20	182	385	395	300	263	9x13	328	275	50	57
CBXT-9/9-1.5	380	590	605	400	218	430	183	78	20	182	385	395	300	263	9x13	328	275	50	57
CBXT-10/10-0.75	422	590	635	450	246	470	202	73	20	204	443	470	326	292	9x17	355	315	50	50
CBXT-10/10-1	422	590	635	450	246	470	202	73	20	204	443	470	326	292	9x17	355	315	50	50
CBXT-10/10-1.5	422	610	655	450	246	470	202	73	20	204	443	470	326	292	9x17	355	315	50	50
CBXT-10/10-2	422	610	655	450	246	470	202	73	20	204	443	470	326	292	9x17	355	315	50	50
CBXT-12/12-0.5	493	645	690	526	290	560	230	82	25	236	498	555	387	345	9x17	415	390	35	70
CBXT-12/12-0.75	493	665	710	526	290	560	230	82	25	236	498	555	387	345	9x17	415	390	35	70
CBXT-12/12-1	493	665	710	526	290	560	230	82	25	236	498	555	387	345	9x17	415	390	35	70
CBXT-12/12-1.5	493	680	725	526	290	560	230	82	25	236	498	555	387	345	9x17	415	390	35	70
CBXT-12/12-2	493	680	725	526	290	560	230	82	25	236	498	555	387	345	9x17	415	390	35	70

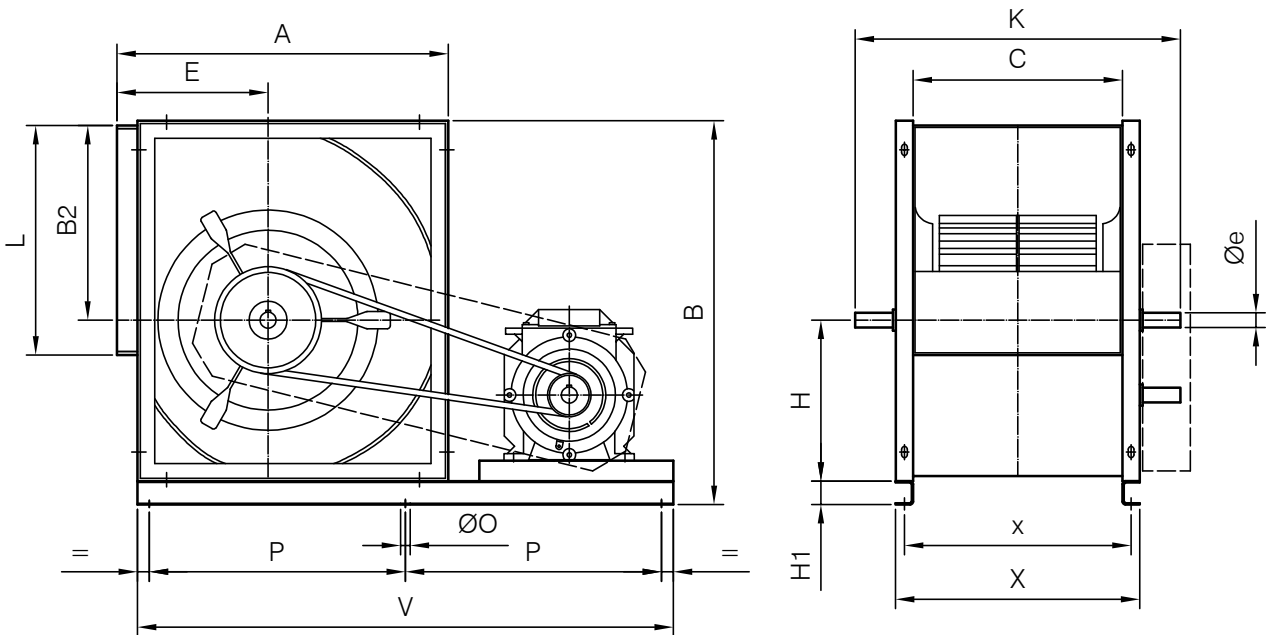
Dimensions mm

Mounting type: B
Standard supply: RD 90



	A	B	B2	C	E	E1	E2	øe	H	K	L	V	X
CBXT-12/12-3	493.5	527.4	292.9	387	230	390	63	21	234.9	560	343	761	416

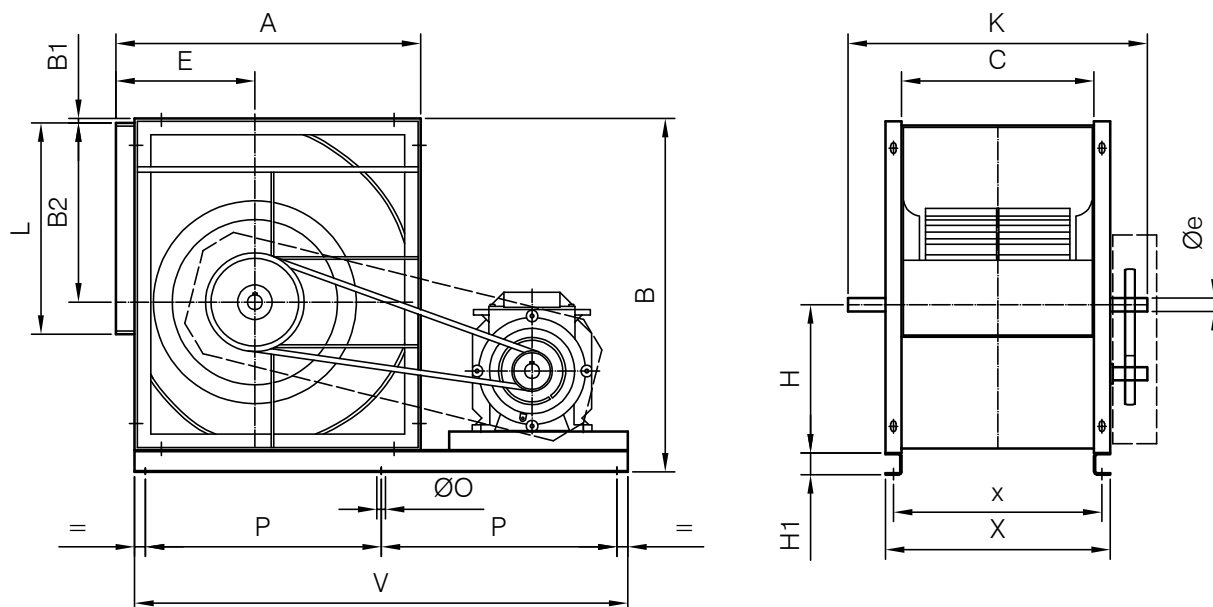
Mounting type: B
Standard supply: RD 90



	A	B	B2	C	E	øe	H	H1	K	L	øO	P	V	x	X
CBXT-15/15 (0.75 HP...4 HP)	583	672	348	473	265	25	284	40	650	404	12	341	890	505	533
CBXT-18/18 (0.75 HP...4 HP)	694	796	415	540	323	25	341	40	750	482	12	460	1076	572	600

Dimensions mm

Mounting type: C
Standard supply: RD 90



	A	B	B1	B2	C	E	øe	H	H1	K	L	øO	P	V	x	X
CBXT-15/15 (≥ 5.5 HP)	583	672	-	348	473	265	25	284	40	730	404	12	341	890	505	533
CBXT-18/18 (≥ 5.5 HP)	694	796	-	415	540	323	25	341	40	800	482	12	460	1076	572	600
CBXT-20/20	843	1023	35	523	603	375	35	405	60	923	603	12	588	1300	643	683
CBXT-22/22	913	1106	35	569	656	400	35	442	60	976	693	12	648	1395	696	736
CBXT-25/25	998	1221	35	642	765	423	35	484	60	1085	793	12	738	1575	805	845
CBXT-30/28	1206	1460	35	776	888	515	40	589	60	1208	933	12	808	1715	928	968

Accessories



INT



VSD3/A-RFT
- VSD1/A-RFM



AET



PSB



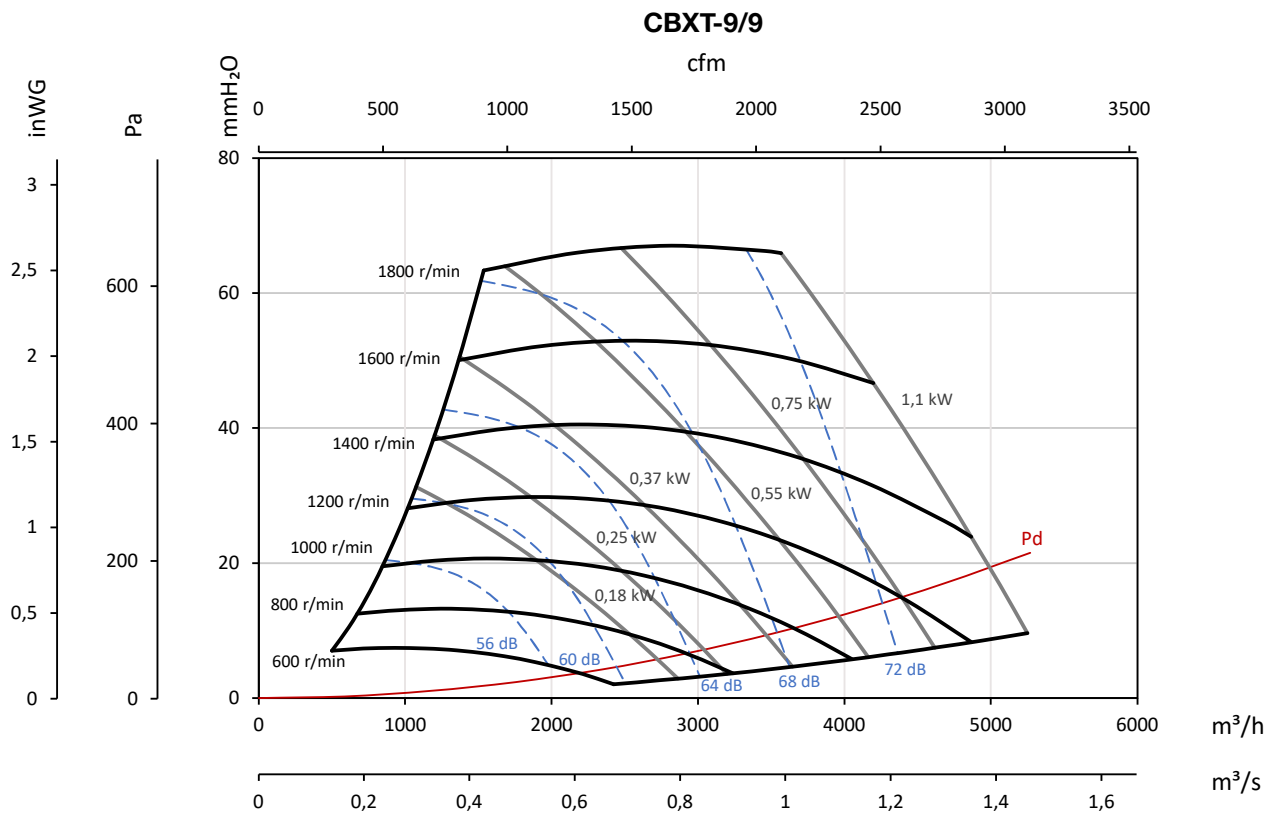
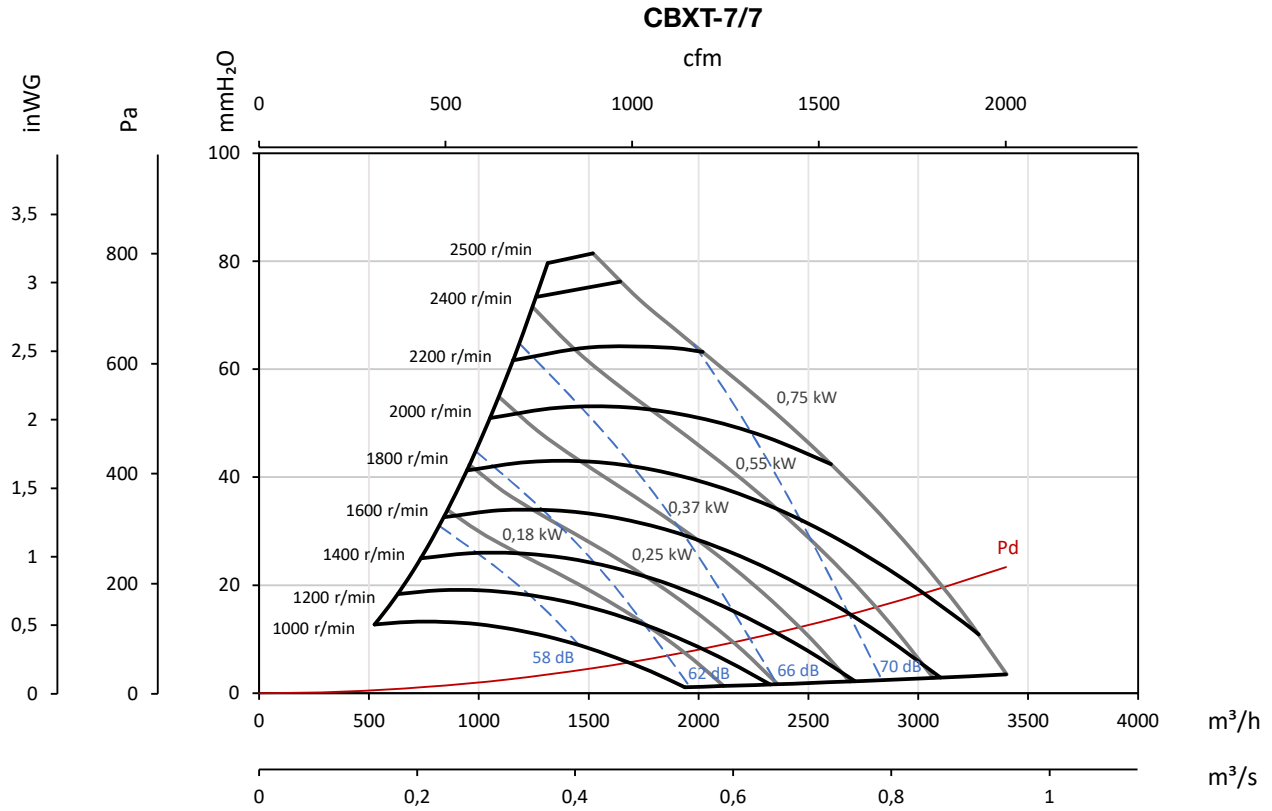
SM

Characteristic curves

Q= Flow rate in m³/h, m³/s and cfm

Pe= Static pressure in mm H₂O, Pa and inWG

The noise levels indicated in the curves are at inlet pressures measured in a free field at 3 m.

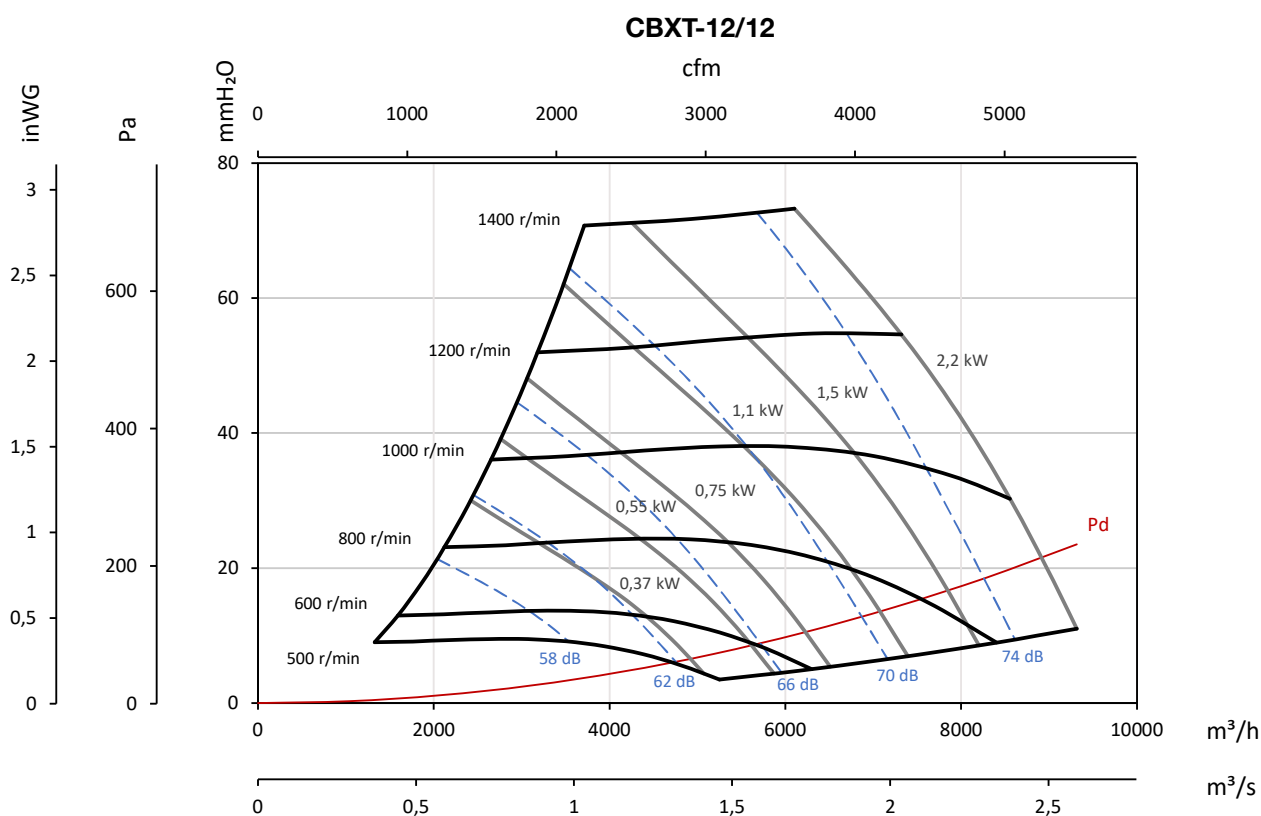
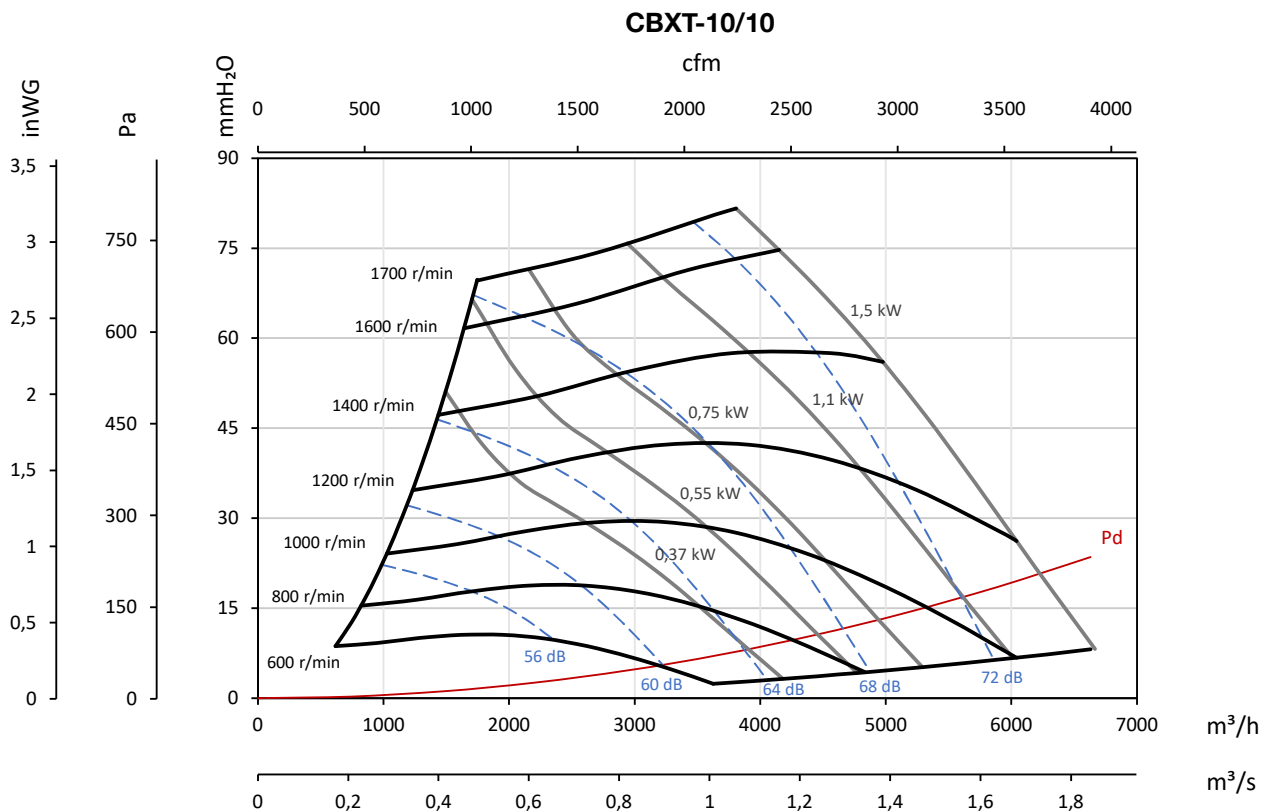


Characteristic curves

Q= Flow rate in m³/h, m³/s and cfm

Pe= Static pressure in mm H₂O, Pa and inwg

The noise levels indicated in the curves are at inlet pressures measured in a free field at 3 m.

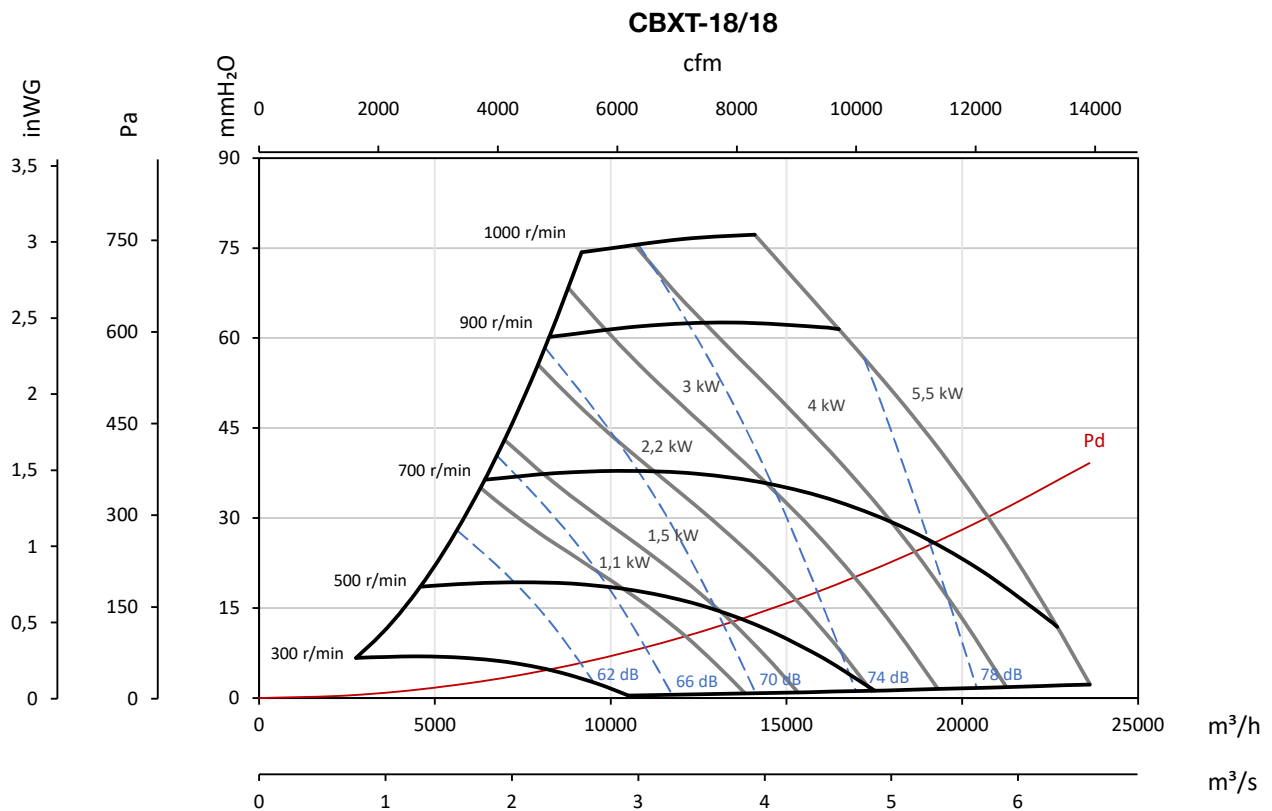
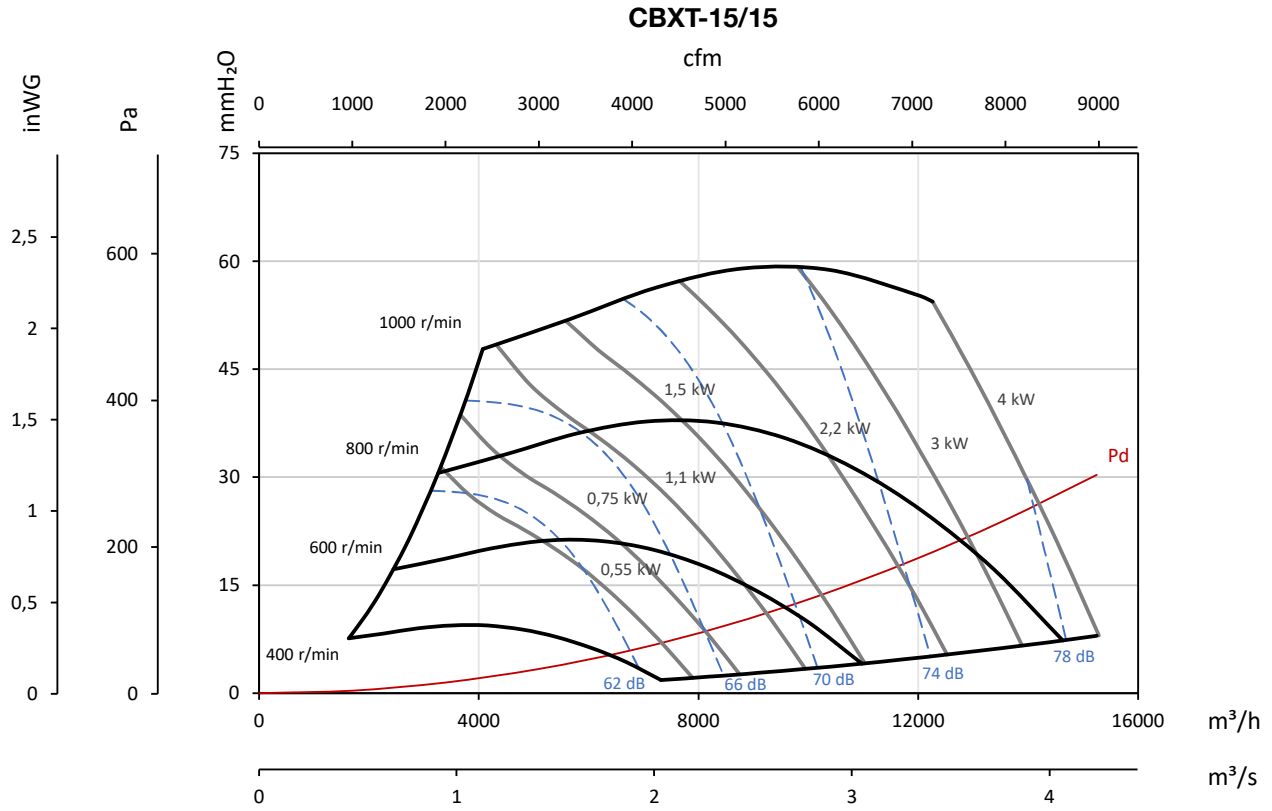


Characteristic curves

Q= Flow rate in m³/h, m³/s and cfm

Pe= Static pressure in mm H₂O, Pa and inwg

The noise levels indicated in the curves are at inlet pressures measured in a free field at 3 m.

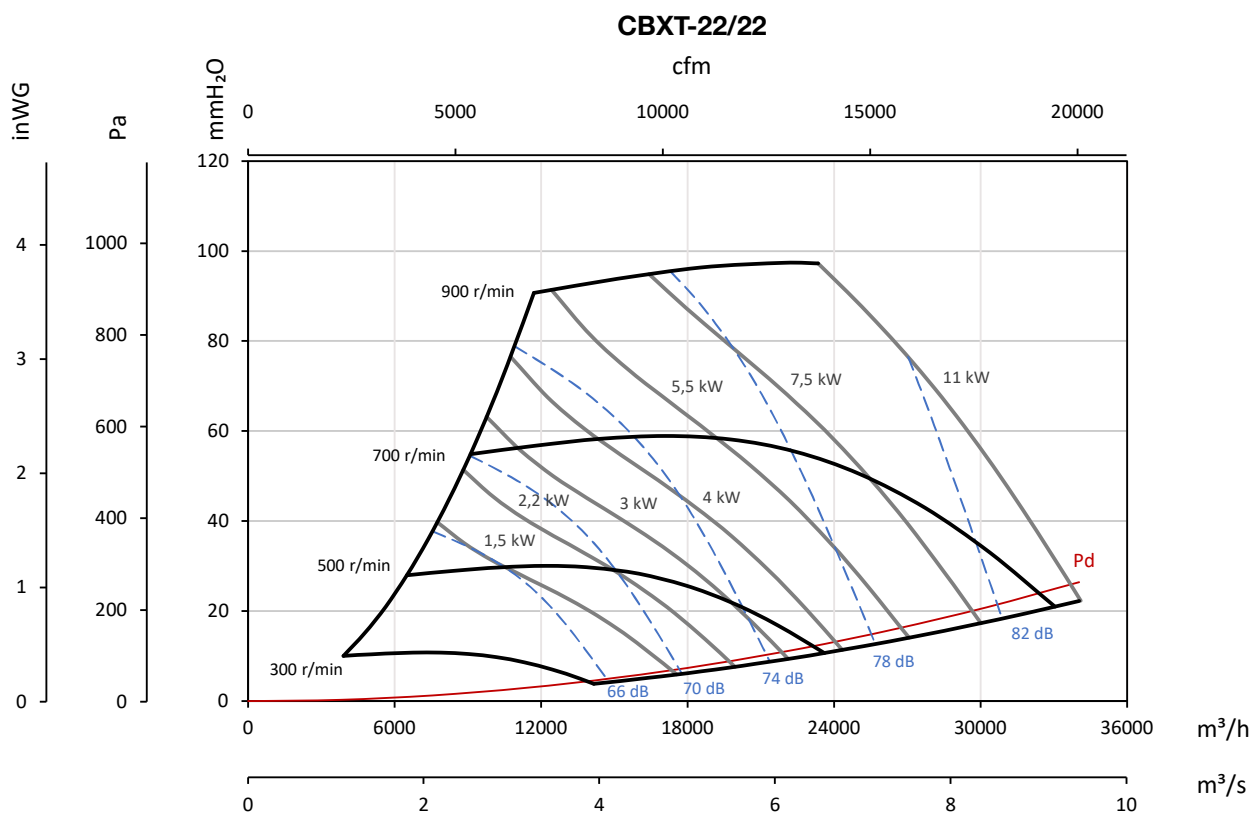
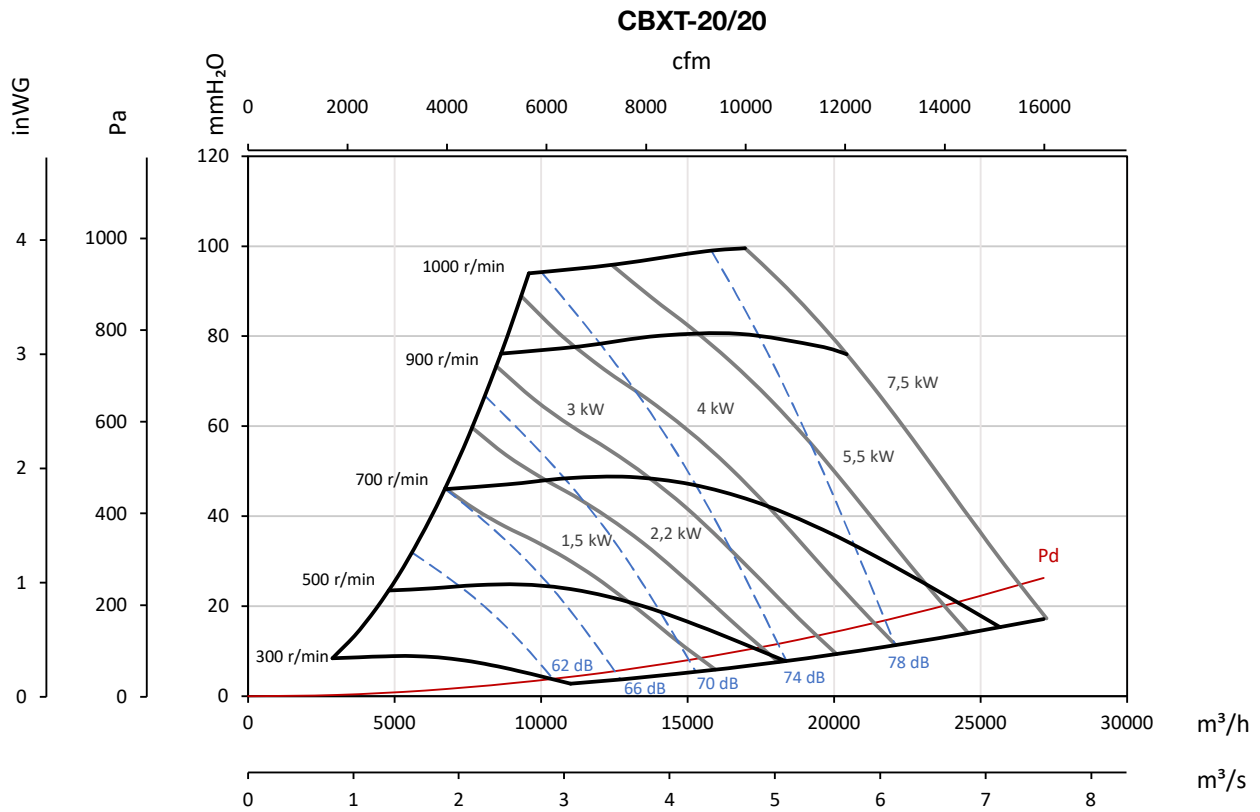


Characteristic curves

Q= Flow rate in m³/h, m³/s and cfm

Pe= Static pressure in mm H₂O, Pa and inWG

The noise levels indicated in the curves are at inlet pressures measured in a free field at 3 m.



Characteristic curves

Q= Flow rate in m³/h, m³/s and cfm

Pe= Static pressure in mm H₂O, Pa and inWG

The noise levels indicated in the curves are at inlet pressures measured in a free field at 3 m.

